

# User Manual and Spare Parts List

GP-234-443 MH

ANITA B, s.r.o.  
Hliníky 2068  
680 01 Boskovice  
Czech Republic  
tel: +420 516454774, 516453496  
fax: +420 516452751  
e-mail: [info@anita.cz](mailto:info@anita.cz)

[www.garudan.cz](http://www.garudan.cz)

## --- CONTENTS ---

### Instruction Manual

|  |   |
|--|---|
| ▪ <b>Preparation for operation</b> .....                           | 1 |
| 1、 Safety precautions .....  | 1 |
| 2、 Precautions before starting operation .....                     | 1 |
| 3、 Precautions for operating conditions .....                      | 1 |
| ▪ <b>Cautions on use</b> .....                                     | 1 |
| 1、 Lubrication (1) .....   | 1 |
| 2、 Lubrication (2) .....   | 1 |
| 3、 Condition of oil lubrication .....                              | 1 |
| 4、 Cautions on operation .....                                     | 2 |
| ▪ <b>Operation</b> .....   | 2 |
| 1、 How to attach needle .....                                      | 2 |
| 2、 How to wind the lower thread .....                              | 2 |
| 3、 Selection of Thread .....                                       | 3 |
| 4、 How to route the upper thread .....                             | 3 |
| 5、 Adjustment of stitch length and reverse sewing .....            | 4 |
| 6、 Setting bobbin .....  | 4 |
| 7、 Threading of bobbin thread .....                                | 4 |
| 8、 Balance of thread tension .....                                 | 4 |
| 9、 Lower thread tension .....                                      | 4 |
| 10、 Upper thread tension .....                                     | 4 |
| 11、 Adjustment of pressure of presser foot .....                   | 5 |
| 12、 Timing between rotating hook motion and needle motion .....    | 5 |
| 13、 Adjustment of Feed dog height .....                            | 5 |
| 14、 Walking foot and presser foot vertical stroke adjustment ..... | 6 |
| 15、 Safety clutch device .....                                     | 6 |
| 16、 Installation of Belt cover .....                               | 7 |
| Specifications .....   | 7 |

### Parts Catalog

|   |    |
|---|----|
| A、 ARM BED AND ITS ACCESSORIES .....        | 8  |
| B、 THREAD TENSION REGULATOR MECHANISM ..... | 10 |

|  |    |
|--|----|
| C、 ARM SHAFT MECHANISM .....                     | 13 |
| D、 UPPER SHAFT & PRESSER FOOT MECHANISM .....    | 15 |
| E、 TAKE-UP THREAD AND SHAFT MECHANISM .....      | 18 |
| F、 STITCH REGULATOR MECHANISM .....              | 21 |
| G、 LOWER SHAFT & FEED ROCK SHAFT MECHANISM ..... | 23 |
| H、 HOOK SADDLE MECHANISM .....                   | 26 |
| I、 OIL LUBRICATION MECHANISM .....               | 30 |
| J、 ACCESSORIES .....                             | 33 |

[www.garudan.cz](http://www.garudan.cz)

## ■ Preparation for operation:

### 1. Safety precautions:

- 1) When turning the power on, keep your hands and fingers away from the area around/under the needle and the area around the pulley.
- 2) Power must be turned off when the machine is not in use, or when the operator leaves the seat.
- 3) Power must be turned off when tilting the machine head, installing or removing the "V" belt, adjusting the machine, or when replacing.
- 4) Avoid placing fingers, hairs, bars etc. near the pulley, "V" belt, bobbin winder pulley, or motor when the machine is in operation.
- 5) Do not insert fingers into the thread take-up cover, under/around the needle, or pulley when the machine is in operation.
- 6) If a belt cover, finger guard, eye guard are installed, do not operate the machine without these safety devices.

### 2. Precautions before starting operation:

- 1) Never operate the machine before filling the machine's oil pan.
- 2) When a new sewing machine is first turned on, verify the rotational direction of the pulley with the power on.
- 3) Verify the voltage and phase (single or three) with those given on the machine nameplate.

### 3. Precautions for operating conditions:

- 1) Avoid using the machine at abnormally high temperatures (35°C or higher) or low temperatures (5°C or lower).
- 2) Avoid using the machine in dusty conditions.

## ■ Cautions on use:

### 1. Lubrication (1) (Fig.1)

Pour oil up to position "H" of the oil tank.

During operation, check the oil level periodically, and in cases where the oil level is below position "L", replenish the oil supply up to position "H".

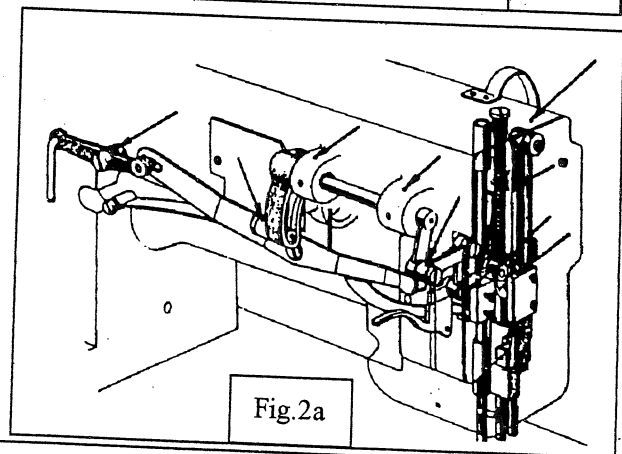
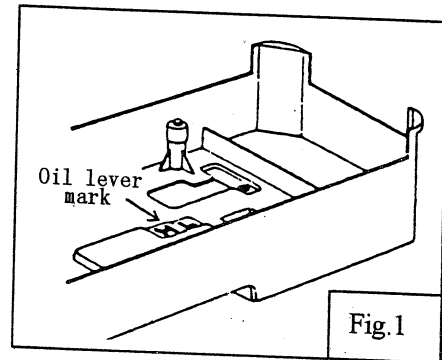
Use white spindle oil.

### 2. Lubrication (2) (Fig.2a, Fig.2b)

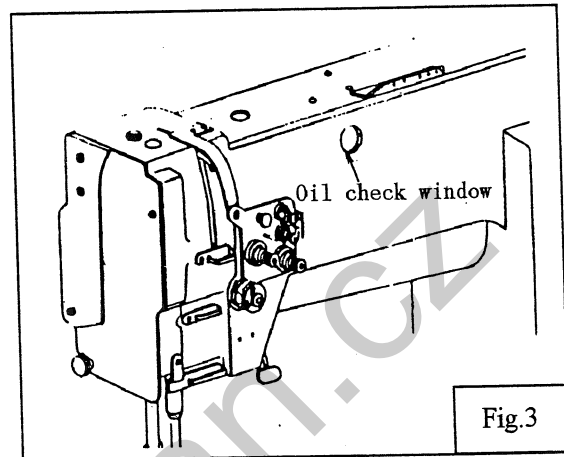
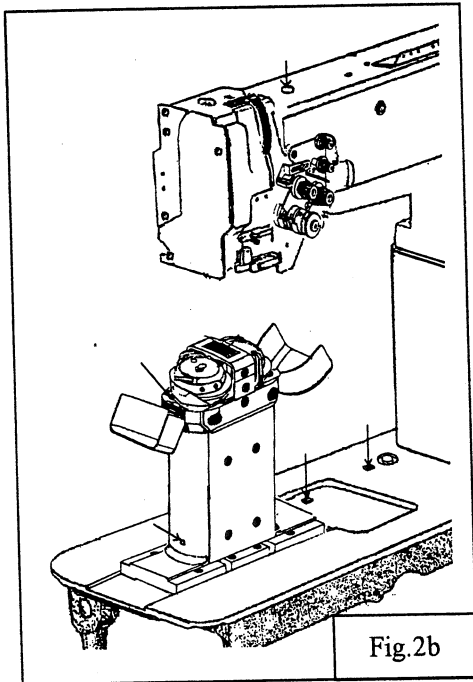
When a new sewing machine is used for the first time, or sewing machine left out of use for a long time is used again, replenish a suitable amount of oil to the portions indicated by arrow in the fig.

Note: Lubricate the Hook Base everyday.

### 3. Condition of oil lubrication (Fig.3):



While operating the machine, check the condition of oil lubrication through the oil check window.



#### 4. Cautions on operation

- 1) When the power is turned on or off, keep foot away from the pedal.
- 2) It should be noted that the brake might not work when the power is interrupted or power failure occurs during sewing machine operation.
- 3) Periodical ly clean the machine.

#### ■ Operation

##### 1. How to attach needle (Fig.4):

Note: Before attach needle, be sure to turn off the power.

Loosen the needle clamping screw; Hold the needles so that the two needles side with the long grooved (faces each other), and insert it as deeply as it will go into the needle clamping holes, tighten screws.

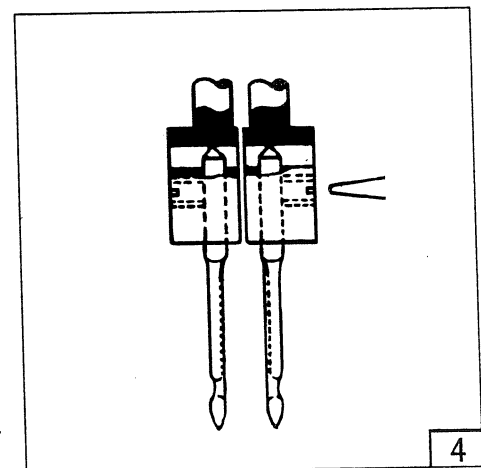
##### 2. How to wind the lower thread (Fig.5):

Strength of winding: Particularly in the case of nylon or polyester thread, wind the bobbin loosely.

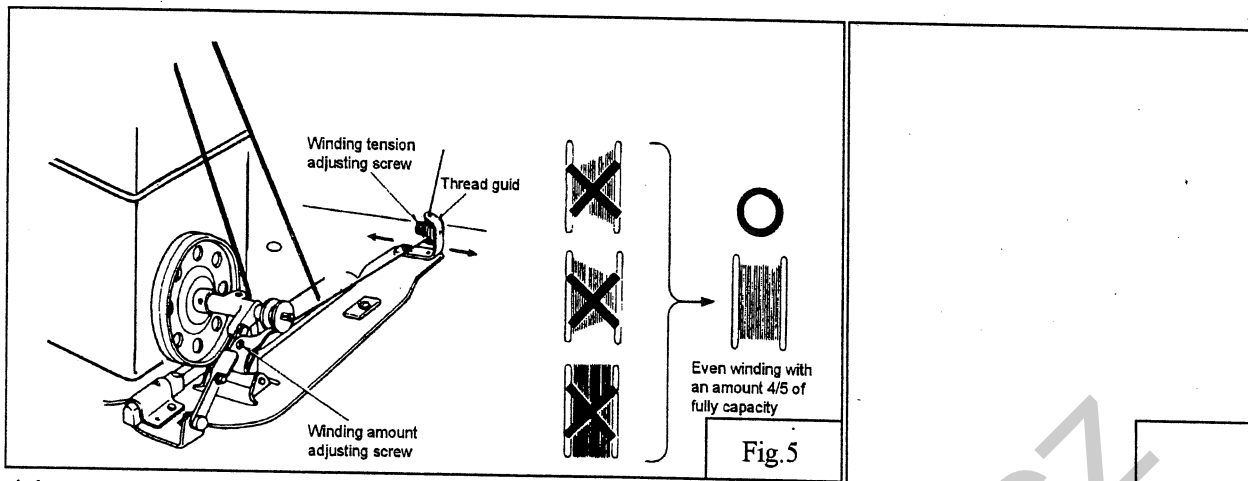
Uneven winding: If the bobbin is wound unevenly, slide the thread guide toward the less wound portion of bobbin.

Winding amount: When the bobbin is wound excessively, loosen the adjusting screw. When the bobbin is wound insufficiently, tighten the adjusting screw.

##### 3. Selection of Thread (Fig.6) :



It is recommended to use "S" twist thread in the left needle (Viewed from front), and "Z" twist thread in the



right needle.

When discriminate use of needle thread is impossible, use "Z" twist thread in the needle. For bobbin thread, "S" twist thread as well as "Z" twist thread can be used.

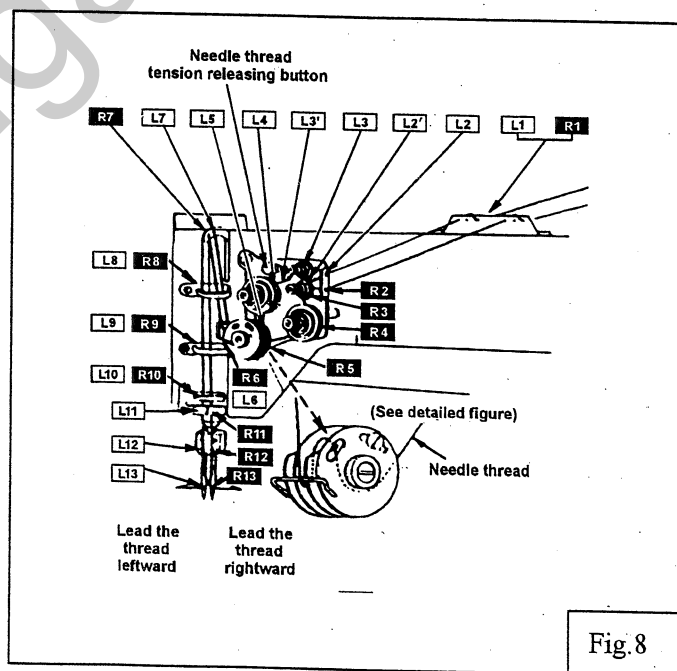
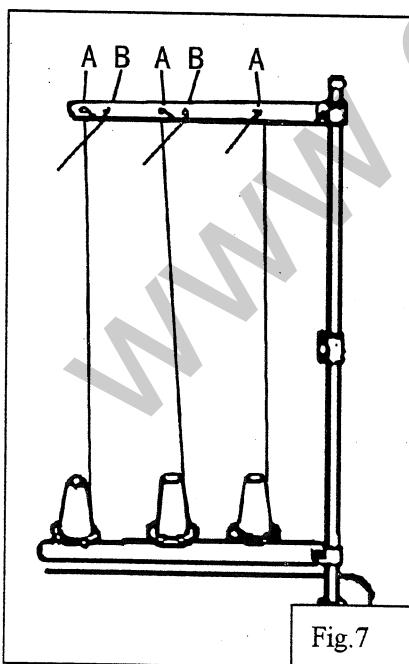
#### 4. How to route the upper thread (Fig.7, Fig.8):

- 1) Pass each upper thread through thread guide A

Note: when thin slippery thread (polyester thread for example) is used pass the thread through thread guide B as show in Fig.7

- 2) With the take-up lever located at the upper most position, pass each thread in the order in Fig.8.

Note: Pressing the upper thread loosening button, the upper thread can be pulled out easily.



#### 5. Adjustment of stitch length and reverse sewing (Fig.9):

- 1) Rotate the stitch length adjusting dial to change the stitch length

- 2) Pressing the stitch length adjusting lever for reverse stitching.

## 6. Setting bobbin ( Fig.10):

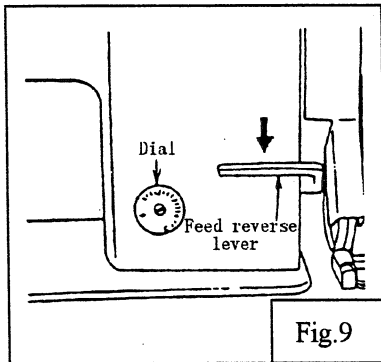


Fig.9

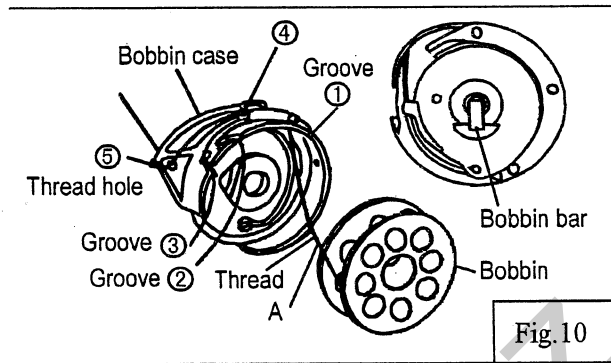


Fig.10

Leading the lower thread and install the bobbin

Pull out thread from side A , then install the bobbin case , Threading following ①~⑤; Put the bobbin case to rotating hook, then replace hook shaft; Press the bobbin bar, Leading the lower thread over bed plate.

## 7. Threading of bobbin thread (Fig.11):

While holding the needle thread by left hand, rotate the hand wheel one turn by right hand. By pulling up the needle thread, the bobbin thread will be lifted. Close the slide plate (Fig.11)

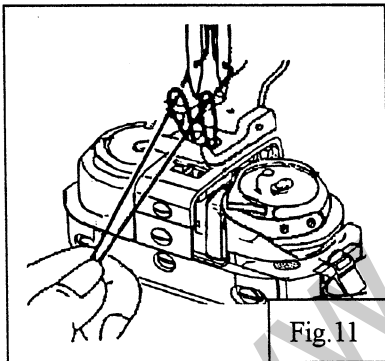


Fig.11

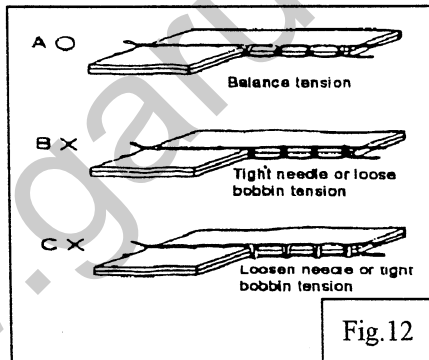


Fig.12

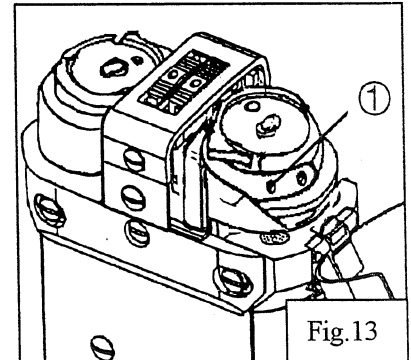


Fig.13

## 8. Balance of thread tension (Fig.12):

## 9. Lower thread tension (Fig.13):

There is virtually no need to adjust the lower thread tension, except for special kind of the fabrics or thread, when slight adjustment will be necessary.

Turning the screw 1 clockwise will increase the tension of lower thread, otherwise, the tension of lower thread will decrease. (Fig.13).

## 10. Upper thread tension (Fig.14):

- 1) The upper thread can be adjusted based on the lower thread tension.
- 2) Adjustment can be done by rotating the thread tension nut.

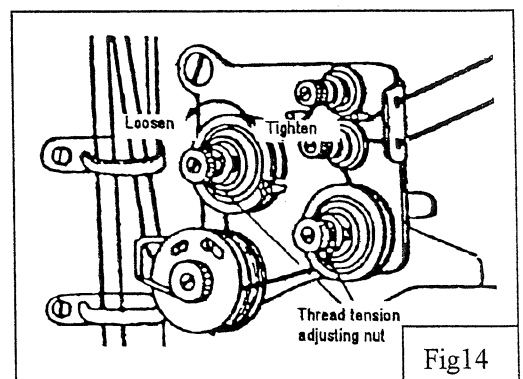
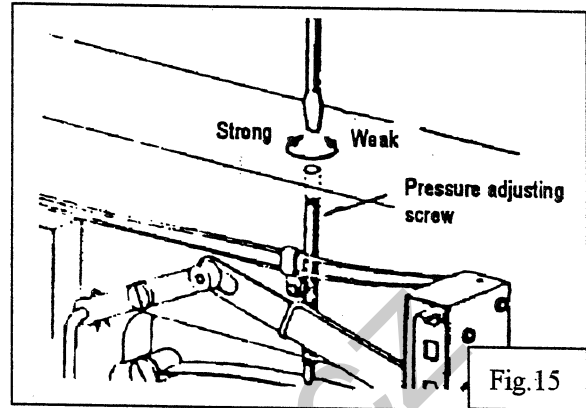


Fig14



## 11. Adjustment of pressure of presser foot (Fig.15):

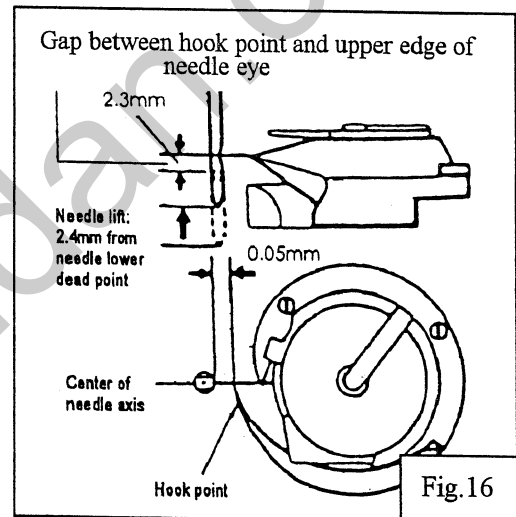
- 1) Pressure should be adjusted according to the material to be sewn.
- 2) Turning the pressure adjusting screw to adjust the pressure of presser foot



## 12. Timing between rotating hook motion and needle motion (Fig.16):

- 1) Set stitch length to "6";
- 2) When needle is lifted 2.4mm from the lower dead point, the following position relationship should be maintained:

- The upper edge of needle eye should be 2.3mm below the hook point
- The hook point should be located at the center of needle axis.
- Gap between the hook point and the side face of needle should be 0.05 mm



## 13. Adjustment of Feed dog height (Fig.17):

Height of feed dog should be adjusted for individual fabrics with the following cautions:

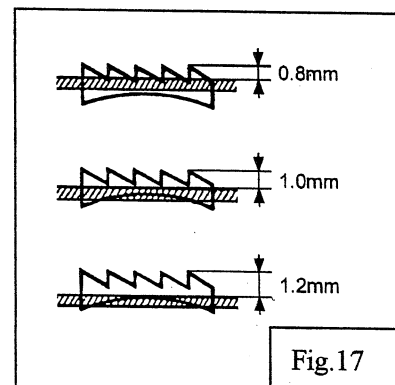
- 1) Fabric will be damaged if the feed dog extends too high or pressure of presser foot is too large
- 2) Even stitch length cannot be assured if the feed dog is too low or pressure of presser foot is too small
- 3) Feed dog height should be measured at the point where the needle is at the top position.

- For light fabric: Approx 0.8mm
- For usual fabric: Approx 1.0mm
- For heavy fabric: Approx 1.2mm

### Adjustment procedure:

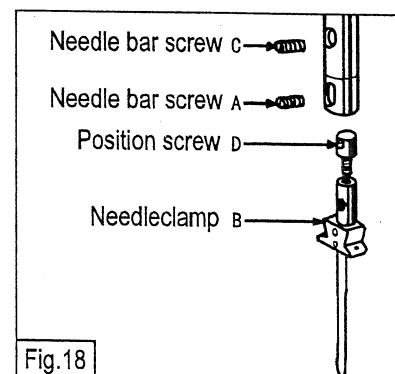
- 1) Lay down the machine bed toward the other side;
- 2) Turn the balance wheel by hand stop when the feed dog is raise to its highest position from the surface of needle place;
- 3) Loosen the Screw and adjust the height of the feed dog;
- 4) After adjusted, tighten the screw.

The feed dog height is factory-adjusted to 1.2mm



## 14. Adjustment the needle stop position (图 18):

- 1) Loosen the needle bar Screw A;
- 2) Rotate the needle clamp B one circuit (amount of Adjustment is



0.6mm), or loosen the needle bar screw C, rotate position screw D half a circuit (amount of Adjustment is 0.3mm)

- 3) Be sure to make the needle clamp facing left side, tighten needle bar screw C and A

## 15. Needle bar stop position (left & right)

(Fig.19):

- 1) Stop the motion of left-side needle bar:  
Make the stopper wrench to the position L
- 2) Stop the motion of right-side needle bar:  
Make the stopper wrench to the position R
- 3) Two needles running at the same time:  
Return the needle bar of left or right from standstill to running: Press down restore plate, stopper wrench restore to O position automatically

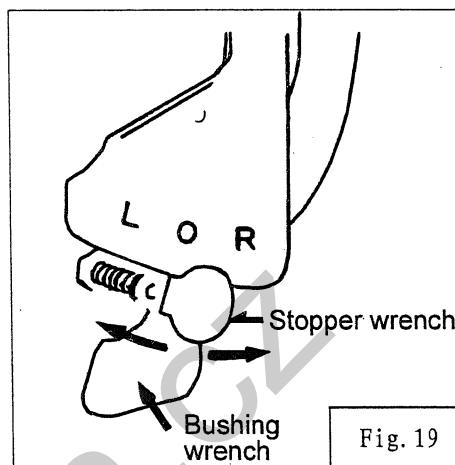


Fig. 19

## 16. Walking foot and presser foot vertical stroke

adjustment (Fig.20):

When fabric with large elasticity is sewn, or when thickness of fabric changes, the vertical stroke (movable range) of the presser feet should be adjusted as follows:

- 1) Loosen the special bolt;
- 2) The vertical strokes of presser feet become minimum when the crank rod is moved downward and set;
- 3) The vertical strokes of presser feet become maximum when the crank rod is moved upward and set;
- 4) After the adjustment, tighten the special nut.

The vertical strokes of presser feet can be adjusted within a range from 2mm to 6mm.

## 17. Safety clutch device (Fig.21, Fig.22)

Safety clutch device is installed to prevent the hook and cog belt from damage in case the thread is caught into the hook when the machine is loaded abnormally operation.

### 1) Function of safety clutch:

A. When the safety clutch acts, the cog belt pulley will be unloaded. Then the rotation of hook shaft will stop. The arm shaft only will rotate. Stop the operation of machine.

B. Clean the thread thoroughly which is caught into the hook.

C. Turn the cog belt hub by hand, and check whether the hook shaft rotates lightly and properly, place the clutch device as follows.

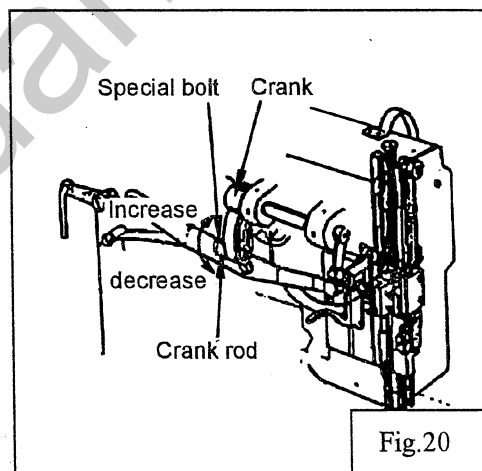


Fig.20

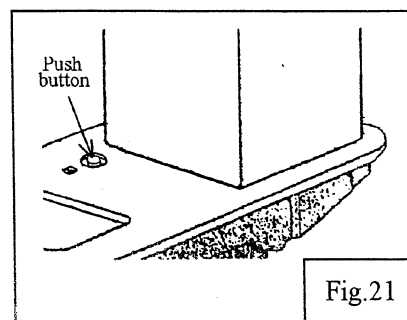


Fig.21

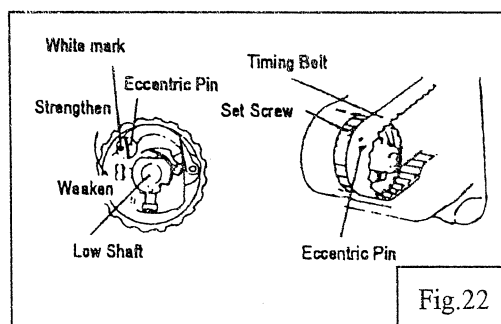


Fig.22

## 2) How to set the safety clutch (Fig.22)

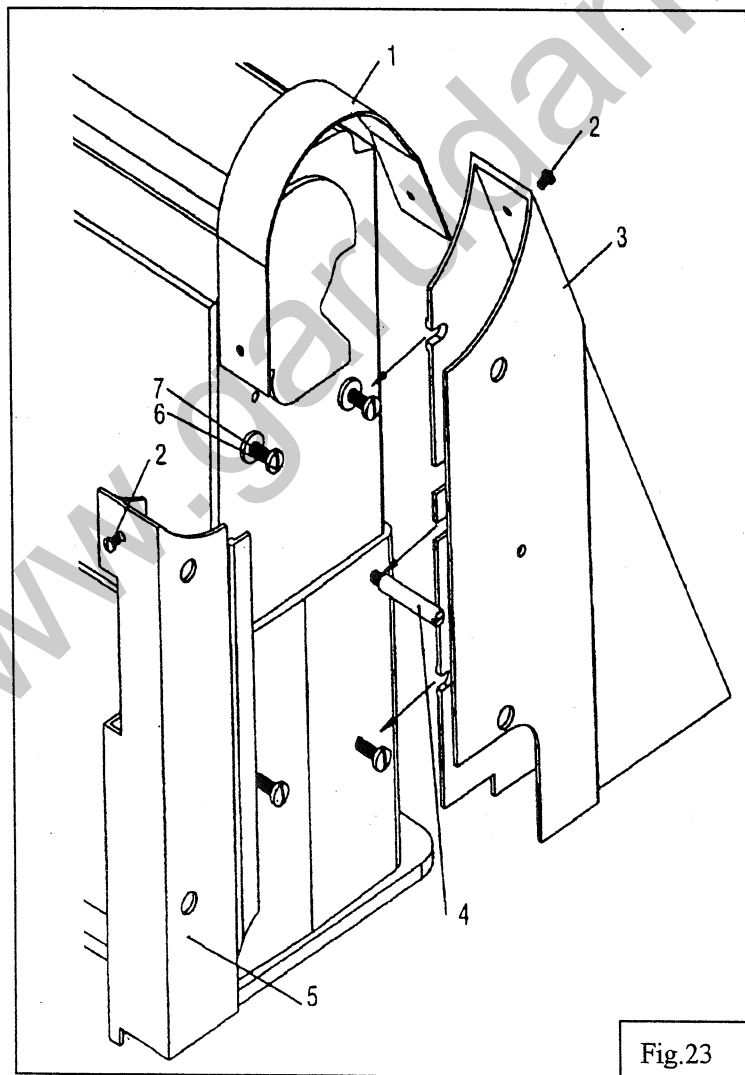
- A. While pressing down the push button on the opposite side of bed by left hand, turn the balance wheel slowly by right hand away from you;
- B. The balance wheel will stop by the gear plate, but turn the balance wheel more firmly;
- C. Release the push button, the safety clutch device is set.

## 3) Force applied to the safety clutch (Fig.22)

- A. The force applied to the safety clutch is the smallest when the mark of eccentric pin faces the center of the lower shaft. The force proportionally increases as the mark faces the outside;
- B. To adjust the force slide the timing belt, loosen the set screw, and turn the eccentric pin;
- C. After the adjustment, tighten the set screw.

## 18. Installation of Belt cover (Fig.23):

Set the screws ( 4、 6 ) and the washer ( 7 ) on the arm as illustrated. Assemble the belt guard 3 in the direction of the arrow , tighten its screw. The assembling of the belt guard 5 is the same as the belt guard 3, then , insert the belt guard 1 from the top of the pulley into the inside of the 3 and 5, tighten the screws ( 2 ) .

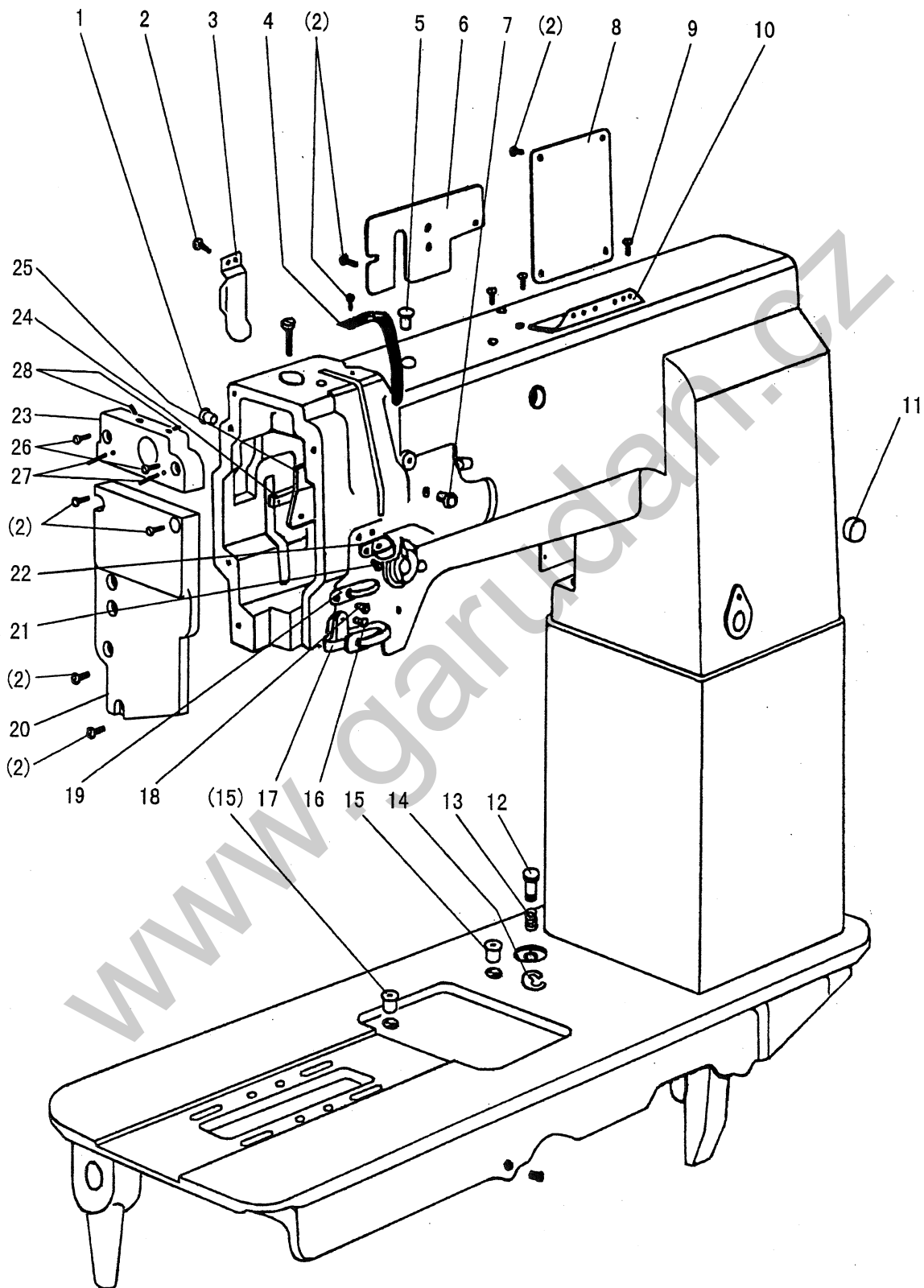


---

**Specifications:**

| Model                   |         | GP-234-443 MH         |
|-------------------------|---------|-----------------------|
| Spec                    |         |                       |
| Material weight         |         | Medium Heavy material |
| Max. sewing speed       |         | 2000rpm               |
| Stitch length           |         | 0-7mm                 |
| Needle bar stroke       |         | 36mm                  |
| Presser<br>foot stroke  | By hand | 8mm                   |
|                         | By knee | 16mm                  |
| Alternating movement    |         | 2-6mm                 |
| Stitch-length adjusting |         | Dial type             |
| Alternating movement    |         | Automatic             |
| Needle                  |         | DP×17 (22#--24#)      |
| Motor                   |         | Clutch motor 370W     |
| Needle gauge            |         | 7.94mm 9.52mm         |

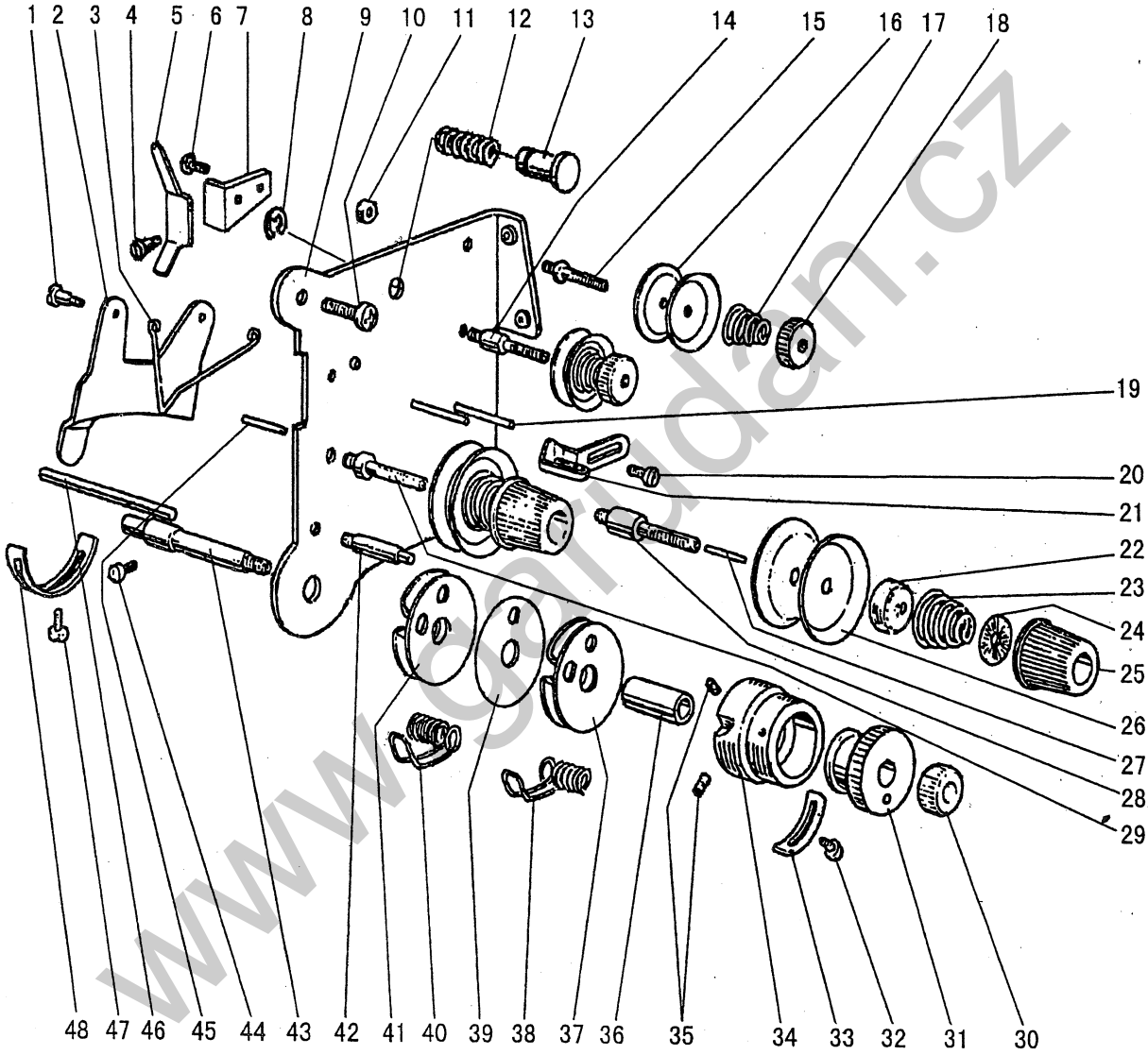
# A. ARM BED AND ITS ACCESSORIES



## A.ARM BED AND ITS ACCESSORIES

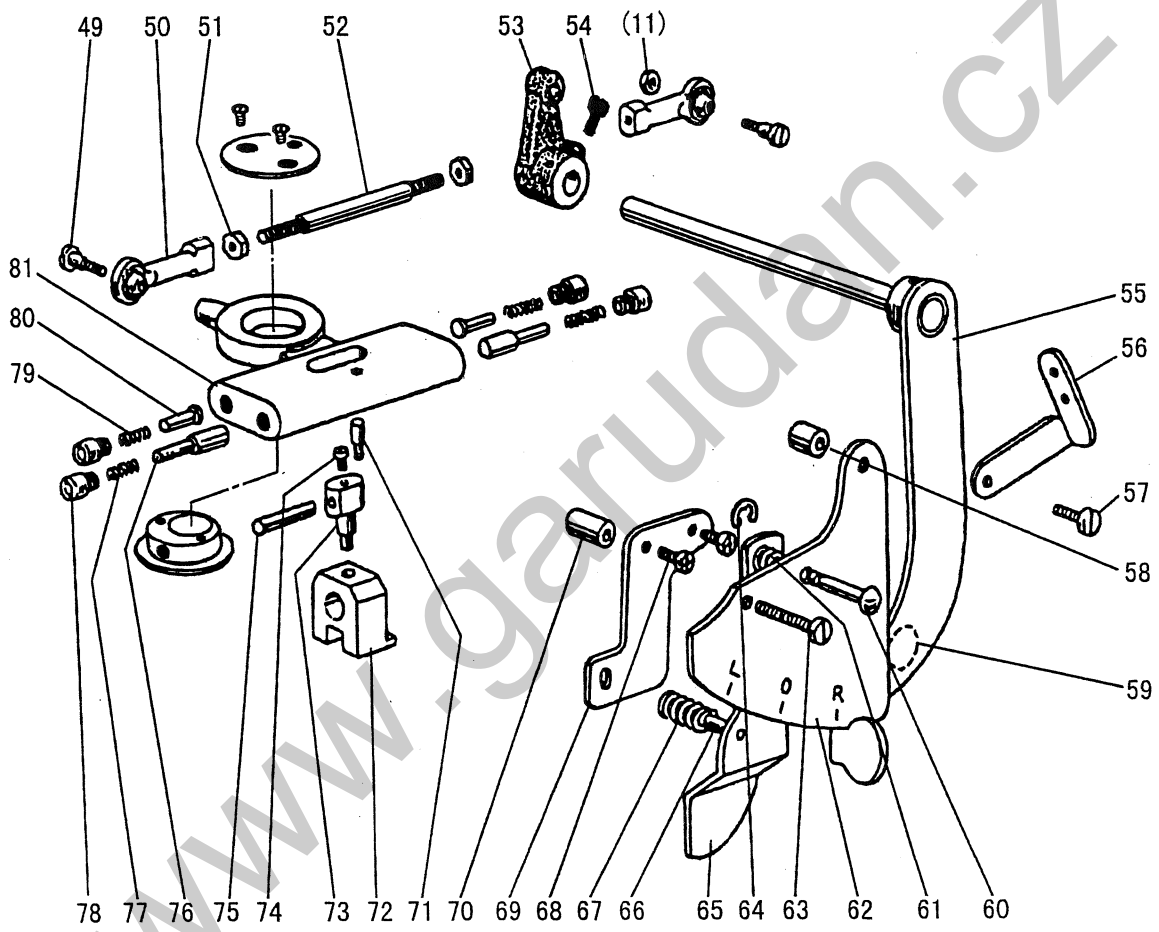
| Fig. No. | Part No.   | Description            | Pcs. | Remarks           |
|----------|------------|------------------------|------|-------------------|
| A01      | HA300B2090 | Rubber plug            | 2    |                   |
| A02      | HA300B2170 | Screw                  | 30   | SM11/64 (40) ×9   |
| A03      | H4716B8001 | Oil guide plate        | 1    |                   |
| A04      | H4717B8001 | Thread take-up cover   | 1    |                   |
| A05      | H4715B8001 | Rubber plug            | 1    |                   |
| A06      | H4718B8001 | Arm side cover (left)  | 1    |                   |
| A07      | H2000B2010 | Rubber plug            | 1    |                   |
| A08      | H4719B8001 | Arm side cover (right) | 1    |                   |
| A09      | HA700B2060 | Screw                  | 2    | SM11/64 (40) ×8   |
| A10      | H2400B2100 | Thread guide           | 1    |                   |
| A11      | HA307B0673 | Rubber plug            | 1    |                   |
| A12      | H4715H8001 | Push button            | 1    |                   |
| A13      | H4714H8001 | Spring                 | 1    |                   |
| A14      | H007013050 | E-type ring            | 1    |                   |
| A15      | H2000M0090 | Cap                    | 2    |                   |
| A16      | H3200B2100 | Screw                  | 1    | SM9/64 (40) ×6.5  |
| A17      | H3212B0066 | Thread guide           | 1    |                   |
| A18      | H3000D2160 | Screw                  | 1    | SM9/64 (40) ×4.5  |
| A19      | H4726B8001 | Thread guide           | 1    |                   |
| A20      | H0213B8001 | Face plate             | 1    |                   |
| A21      | H2400B2080 | Screw                  | 2    | SM3/16 (28) ×12.1 |
| A22      | H2400B2070 | Thread guide           | 1    |                   |
| A23      | H0212B8001 | Shaft supporter        | 1    |                   |
| A24      | H2400B2060 | Spacer                 | 1    |                   |
| A25      | H3200B2060 | Oil guide plate        | 1    |                   |
| A26      | HA7311C606 | Screw                  | 2    | SM11/64(40)×15    |
| A27      | H602030200 | Pin                    | 2    |                   |
| A28      | HA100B2110 | Screw                  | 2    | SM11/64(40)×5.5   |

B. THREAD TENSION REGULATOR MECHANISM



# B. THREAD TENSION REGULATOR MECHANISM

---





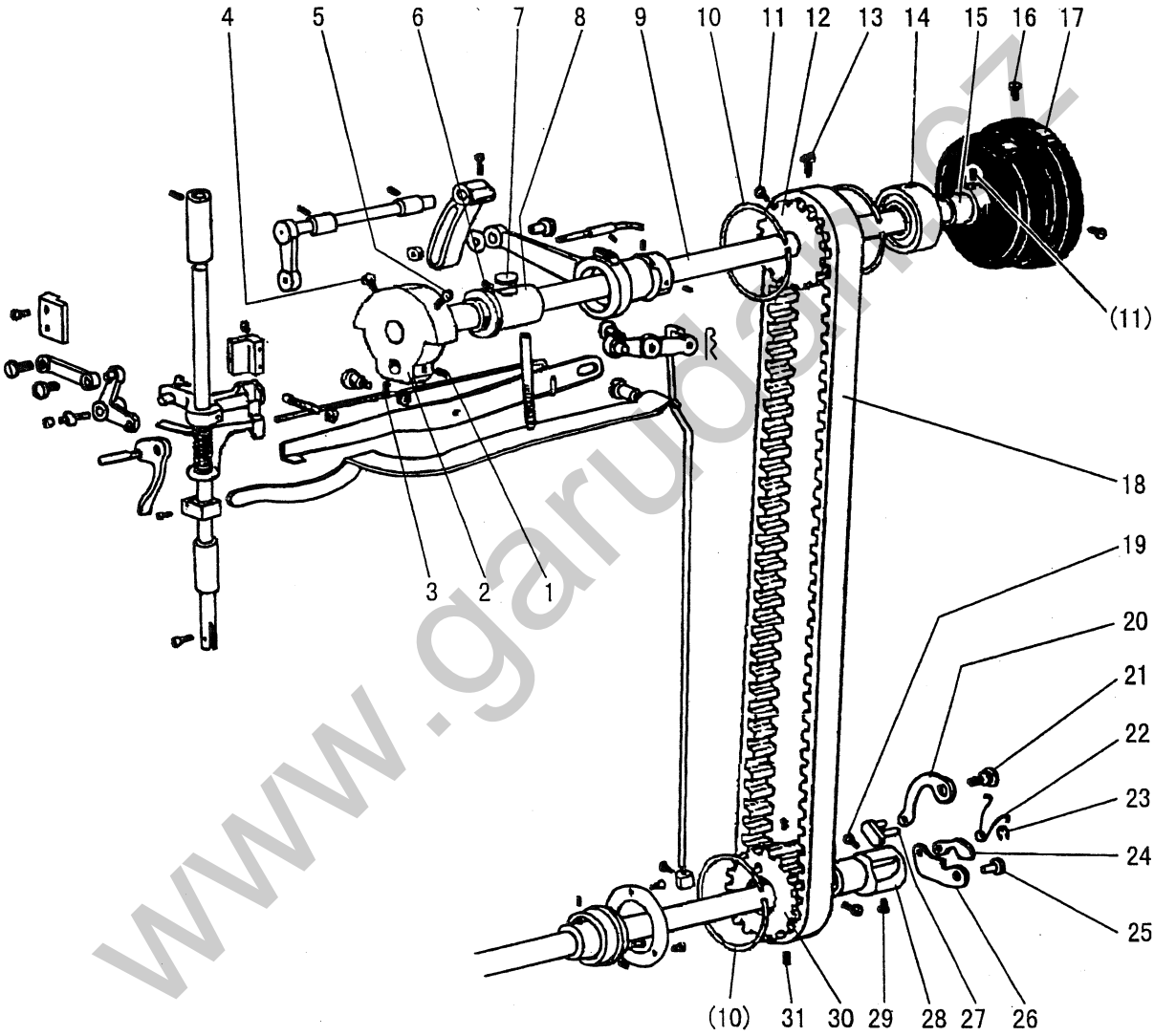
## B.THREAD TENSION REGULATOR MECHANISM

| Fig. No. | Part No.   | Description                  | Pcs. | Remarks          |
|----------|------------|------------------------------|------|------------------|
| B01      | H2504C6510 | Screw                        | 2    | SM9/64 (40) ×3   |
| B02      | H3221B3142 | Tension releasing plate      | 1    |                  |
| B03      | H3221B6812 | Tension releasing spring     | 1    |                  |
| B04      | H4705C8001 | Screw                        | 1    | SM9/64 (40) ×5.5 |
| B05      | H4706C8001 | Lever                        | 1    |                  |
| B06      | HA7311C306 | Screw                        | 1    | SM9/64 (40) ×7   |
| B07      | H4707C8001 | Mounting plate               | 1    |                  |
| B08      | H007013050 | E-type ring                  | 1    |                  |
| B09      | H3221B6820 | Mounting plate               | 1    |                  |
| B10      | HA300C2030 | Screw                        | 2    | SM11/64 (40) ×8  |
| B11      | H3221B6810 | Nut                          | 2    |                  |
| B12      | H4708C8001 | Spring                       | 1    |                  |
| B13      | H4709C8001 | Push button                  | 1    |                  |
| B14      | H3221B0685 | Thread tension stud          | 1    | SM11/64 (40) ×14 |
| B15      | H3221B0683 | Thread tension stud          | 1    | SM11/64 (40) ×14 |
| B16      | HA112B0693 | Thread tension disc          | 4    |                  |
| B17      | H3300B2040 | Spring                       | 2    |                  |
| B18      | HA710B0671 | Thumb nut                    | 2    |                  |
| B19      | H3221B0682 | Pin                          | 3    |                  |
| B20      | HA106B0676 | Screw                        | 1    | SM9/64 (40) ×6   |
| B21      | H3306B0661 | Thread guide                 | 1    |                  |
| B22      | HA310B0702 | Tension releasing disc       | 2    |                  |
| B23      | H4710C8001 | Spring                       | 2    |                  |
| B24      | HA115B7010 | Thumb nut revolution stopper | 2    |                  |
| B25      | HA310B0701 | Thumb nut                    | 2    |                  |
| B26      | HA310B0705 | Thread tension disc          | 4    |                  |
| B27      | H3221B6816 | Pin                          | 1    |                  |
| B28      | H3221B0689 | Thread tension stud          | 1    | SM1/4 (40) ×23   |
| B29      | H3221B0686 | Thread tension stud          | 1    | SM1/4 (40) ×23   |
| B30      | H32481B721 | Thumb nut                    | 1    |                  |
| B31      | H32481B621 | Take-up spring guide         | 1    |                  |
| B32      | H32481BC21 | Screw                        | 1    | SM9/64 (40) ×6   |
| B33      | H32481BB21 | Stopper                      | 1    |                  |
| B34      | H32481B921 | Thread tension post          | 1    |                  |
| B35      | H32481B521 | Screw                        | 2    | SM1/8 (44) ×3.9  |
| B36      | H32481B821 | Bushing                      | 1    |                  |
| B37      | H32481BF21 | Plate complete               | 1    |                  |
| B38      | H4712C8001 | Thread take-up spring        | 1    |                  |
| B39      | H32481BE21 | Plate complete               | 1    |                  |
| B40      | H4713C8001 | Thread take-up spring        | 1    |                  |
| B41      | H32481BD21 | Plate complete               | 1    |                  |
| B42      | H32481B421 | Thread tension stud          | 1    | SM9/64 (40) ×2.9 |
| B43      | H32481B121 | Thread tension stud          | 1    | SM1/4 (40) ×38.5 |

## B.THREAD TENSION REGULATOR MECHANISM

| Fig. No. | Part No.   | Description                        | Pcs. | Remarks          |
|----------|------------|------------------------------------|------|------------------|
| B44      | H3230K0751 | Screw                              | 1    | SM11/64 (40) ×10 |
| B45      | H3221B6817 | Pin                                | 1    |                  |
| B46      | H4769E8001 | Pin                                | 1    |                  |
| B47      | H3200B2100 | Screw                              | 1    | SM9/64 (40) ×6.5 |
| B48      | H3221B6819 | Stopper                            | 1    |                  |
| B49      | H3400D2030 | Screw                              | 2    | SM11/64(40)×9.5  |
| B50      | H3405D0663 | Link                               | 2    | JKM5             |
| B51      | H003057050 | Nut                                | 2    |                  |
| B52      | H3405D0661 | Screw bar                          | 1    |                  |
| B53      | H0207C8001 | Crank                              | 1    |                  |
| B54      | HE512D8001 | Screw                              | 1    | SM11/64 (32) ×12 |
| B55      | H0204C7101 | Stop motion control lever complete | 1    |                  |
| B56      | H3400L0050 | Thread guide                       | 1    |                  |
| B57      | HA7311C606 | Screw                              | 1    | SM11/64(40)×15   |
| B58      | H3400D2060 | Cannulation                        | 1    | L=7.7            |
| B59      | H3407D0671 | Pin                                | 1    |                  |
| B60      | H3408D0681 | Pin                                | 1    |                  |
| B61      | H3408D0682 | Spring                             | 1    |                  |
| B62      | H3408D0686 | Tension bracket                    | 1    |                  |
| B63      | H0210C8001 | Screw                              | 1    | SM11/64(40)×22   |
| B64      | H007013040 | E-type ring                        | 1    | GB/T896 4        |
| B65      | H3408D0684 | Lever                              | 1    |                  |
| B66      | H3408D0685 | Pin                                | 1    |                  |
| B67      | H3400D2100 | Spring                             | 1    |                  |
| B68      | HA300C2030 | Screw                              | 2    | SM11/64(40)×8    |
| B69      | H0208C8001 | Plate                              | 1    |                  |
| B70      | H0209C8001 | Cannulation                        | 1    | L=15.2           |
| B71      | H3400D2110 | Screw                              | 1    | SM9/64(40)×5     |
| B72      | H3210C3021 | Crank                              | 1    |                  |
| B73      | H3404D0652 | Pin                                | 1    |                  |
| B74      | HA7311CC06 | Screw                              | 1    | SM9/64 (40) ×6.5 |
| B75      | H3404D0653 | Pin                                | 1    |                  |
| B76      | H3404D0655 | Pin                                | 2    |                  |
| B77      | H3404D0657 | Spring                             | 2    |                  |
| B78      | H3404D0656 | Screw                              | 4    | SM5/16 (28) ×4   |
| B79      | H3404D0658 | Spring                             | 2    |                  |
| B80      | H3404D0654 | Pin                                | 2    |                  |
| B81      | H3404D0651 | Guide                              | 1    |                  |

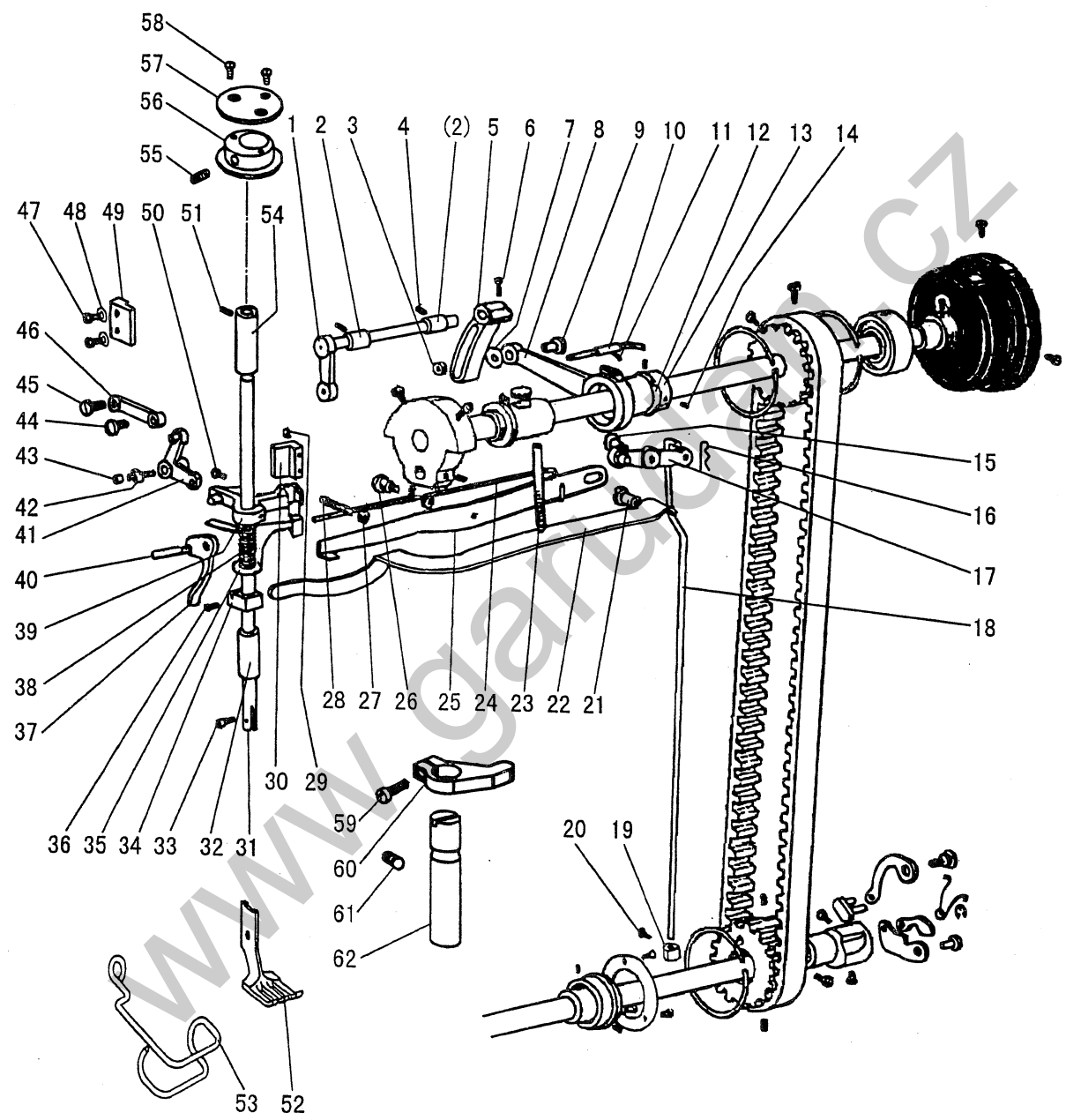
C. ARM SHAFT MECHANISM



## C.ARM SHAFT MECHANISM

| Fig. No. | Part No.   | Description              | Pcs. | Remarks            |
|----------|------------|--------------------------|------|--------------------|
| C01      | HA307C0662 | Set screw                | 1    | SM1/4 (40) ×6      |
| C02      | H3404B0011 | Crank                    | 1    |                    |
| C03      | HA105D0662 | Set screw                | 1    | SM1/4 (40) ×4      |
| C04      | HA100C2060 | Screw                    | 1    | SM9/32 (28) ×13    |
| C05      | HA100C2070 | Screw                    | 1    | SM9/32 (28) ×14    |
| C06      | H4708D8001 | Set screw                | 1    | SM1/4(24)×13       |
| C07      | H32111B104 | Felt                     | 1    |                    |
| C08      | H32111B204 | Arm shaft bushing (left) | 1    |                    |
| C09      | H4709D8001 | Arm shaft                | 1    |                    |
| C10      | H3205C0661 | Spring flange            | 3    |                    |
| C11      | HA113F0684 | Screw                    | 3    | SM15/64 (28) ×8.5  |
| C12      | H3205C1021 | Pulley                   | 1    |                    |
| C13      | HA100F2130 | Screw                    | 1    | SM15/64 (28) ×14.5 |
| C14      | H3205J0662 | Bearing                  | 1    |                    |
| C15      | H3205J0661 | Collar                   | 1    |                    |
| C16      | HA110D0672 | Screw                    | 2    | SM15/64 (28) ×12   |
| C17      | H4100C2040 | Pulley                   | 1    |                    |
| C18      | H6304C8001 | Cog belt                 | 1    |                    |
| C19      | HA104F0654 | Screw                    | 1    | SM15/64 (28) ×10   |
| C20      | H4713D8001 | Link                     | 1    |                    |
| C21      | H4714D8001 | Pin                      | 1    |                    |
| C22      | H4716D8001 | Spring                   | 1    |                    |
| C23      | H007013025 | E-type ring              | 1    |                    |
| C24      | H4717D8001 | Link                     | 1    |                    |
| C25      | H4718D8001 | Pin                      | 1    |                    |
| C26      | H4719D8001 | Link                     | 1    |                    |
| C27      | H4715D8001 | Pin                      | 1    |                    |
| C28      | H4720D8001 | Bushing                  | 1    |                    |
| C29      | H4721D8001 | Screw                    | 1    | SM15/64(28)×10.5   |
| C30      | H4722D8001 | Pulley                   | 1    |                    |
| C31      | H4723D8001 | Screw                    | 2    | SM15/64(28)×4.5    |

# D. PRESSER FOOT MECHANISM



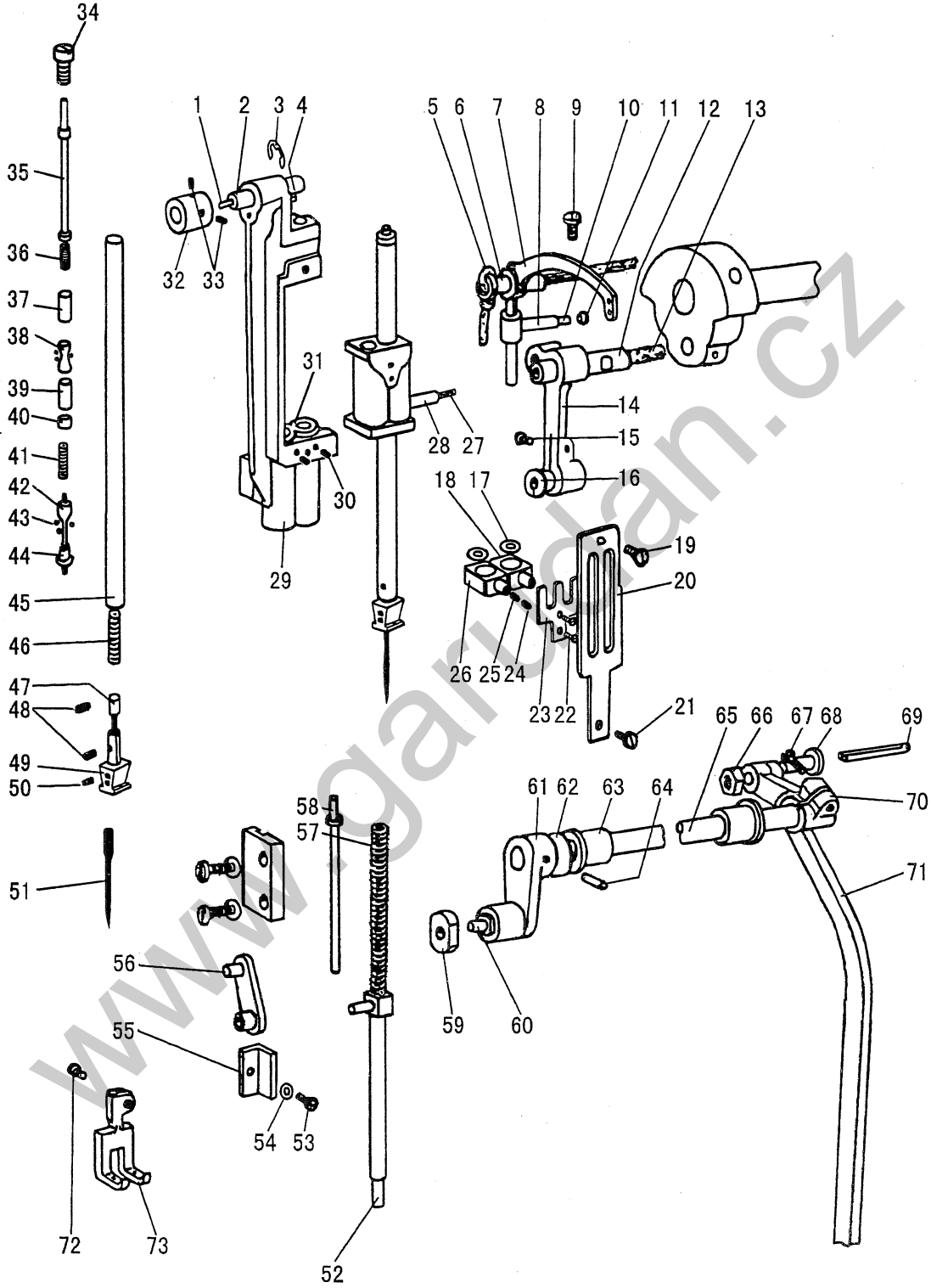
## D.PRESSER FOOT MECHANISM

| Fig. No. | Part No.   | Description               | Pcs. | Remarks           |
|----------|------------|---------------------------|------|-------------------|
| D01      | H4705E8001 | Feed lifting rock shaft   | 1    |                   |
| D02      | H4707E8001 | Bushing                   | 2    |                   |
| D03      | H003058060 | Nut                       | 1    | (M6×0.75)         |
| D04      | H4706E8001 | Set screw                 | 2    | SM1/4 (24)×7      |
| D05      | H4709E8001 | Crank                     | 1    |                   |
| D06      | H3115F0671 | Screw                     | 1    | SM1/4 (28) ×16    |
| D07      | H2013J0065 | Washer                    | 1    |                   |
| D08      | H2014J0066 | Connecting rod            | 1    |                   |
| D09      | H2000J2100 | Screw                     | 1    | M6(0.75)×24       |
| D10      | H4713E8001 | Oil wick                  | 1    |                   |
| D11      | H20111C106 | Holder                    | 1    |                   |
| D12      | H007009250 | C-type ring               | 1    |                   |
| D13      | H4714E8001 | Eccentric                 | 1    |                   |
| D14      | HA307C0662 | Screw                     | 2    | SM1/4 (40) ×6     |
| D15      | H4732E8001 | Screw                     | 1    | SM1/4 (24) ×14    |
| D16      | H4739E8001 | Snap pin                  | 1    |                   |
| D17      | H4734E7101 | Knee lifter lifting lever | 1    |                   |
| D18      | H0204E8001 | Operation rod             | 1    |                   |
| D19      | H4741E8001 | Collar                    | 1    |                   |
| D20      | H4742E8001 | Screw                     | 1    | SM11/64 (40) ×5.5 |
| D21      | H3100G2170 | Screw                     | 1    | SM1/4 (24) ×17    |
| D22      | H4730E8001 | Lever spring              | 1    |                   |
| D23      | H4729E8001 | Screw                     | 1    | SM15/64 (28) ×79  |
| D24      | H4727E8001 | Twist spring              | 1    |                   |
| D25      | H4728E8001 | Knee lifting lever        | 1    |                   |
| D26      | H3100G2130 | Screw                     | 1    | SM1/4 (24) ×7     |
| D27      | H4726E8001 | Nut                       | 1    |                   |
| D28      | H4725E8001 | Screw                     | 1    | SM1/4 (24) ×19    |
| D29      | HA111G0683 | Screw                     | 2    | SM11/64(40)×12    |
| D30      | H4723E8001 | Guide                     | 1    |                   |
| D31      | H4754E8001 | Presser bar               | 1    |                   |
| D32      | H4744E8001 | Bushing                   | 1    |                   |
| D33      | H3200E2020 | Screw                     | 1    | SM1/8(44)×9       |
| D34      | H4746E8001 | Spring bracket            | 1    |                   |
| D35      | H4768E8001 | Thread releasing plate    | 1    |                   |
| D36      | H2404I0034 | Screw                     | 1    | SM9/64 (40) ×8.5  |
| D37      | H4748E8001 | Lift lever                | 1    |                   |
| D38      | H4767E8001 | Spring                    | 1    |                   |
| D39      | H4752E8001 | Bracket                   | 1    |                   |
| D40      | H4749E8001 | Screw                     | 1    | SM11/64 (40) ×8.5 |
| D41      | H0207E8001 | Bell crank                | 1    |                   |
| D42      | H2004J0655 | Screw                     | 1    | SM3/16 (28) ×10   |
| D43      | H4717E8001 | Roller                    | 1    |                   |

## D.PRESSER FOOT MECHANISM

| Fig. No. | Part No.   | Description                | Pcs. | Remarks            |
|----------|------------|----------------------------|------|--------------------|
| D44      | H4718E8001 | Screw                      | 1    | SM11/64(32)×6      |
| D45      | H2004J0662 | Screw                      | 1    | SM1/4(40)×5        |
| D46      | H4719E8001 | Link                       | 1    |                    |
| D47      | HA100E2150 | Screw                      | 2    | SM11/64 (40) ×10   |
| D48      | H4722E8001 | Washer                     | 2    |                    |
| D49      | H4721E8001 | Bell crank guide           | 1    |                    |
| D50      | H4753E8001 | Screw                      | 1    | SM11/64 (40) ×17.5 |
| D51      | H4708D8001 | Set screw                  | 2    | SM1/4(24)×13       |
| D52      | HE504D8001 | Lifting presser            | 1    | 5/16               |
| D52      | HE304E8001 | Lifting presser            | 1    | 3/8                |
| D53      | HE013N8001 | Finger gusrd               | 1    |                    |
| D54      | H0205E8001 | Bushing                    | 1    |                    |
| D55      | H3210F0681 | Screw                      | 1    | M5×6               |
| D56      | HE510D8001 | Bushing                    | 1    |                    |
| D57      | HE511D8001 | Cover                      | 1    |                    |
| D58      | HE106F8001 | Screw                      | 2    | SM1/8(44)×6        |
| D59      | HE512D8001 | Screw                      | 1    |                    |
| D60      | HE507D8001 | Crank                      | 1    |                    |
| D61      | H4708D8001 | Screw                      | 1    | SM1/4(24)×13       |
| D62      | H0206E8001 | Presser bar position guide | 1    |                    |

E. NEEDLE BAR & THREAD TAKE-UP LEVER MECHANISM





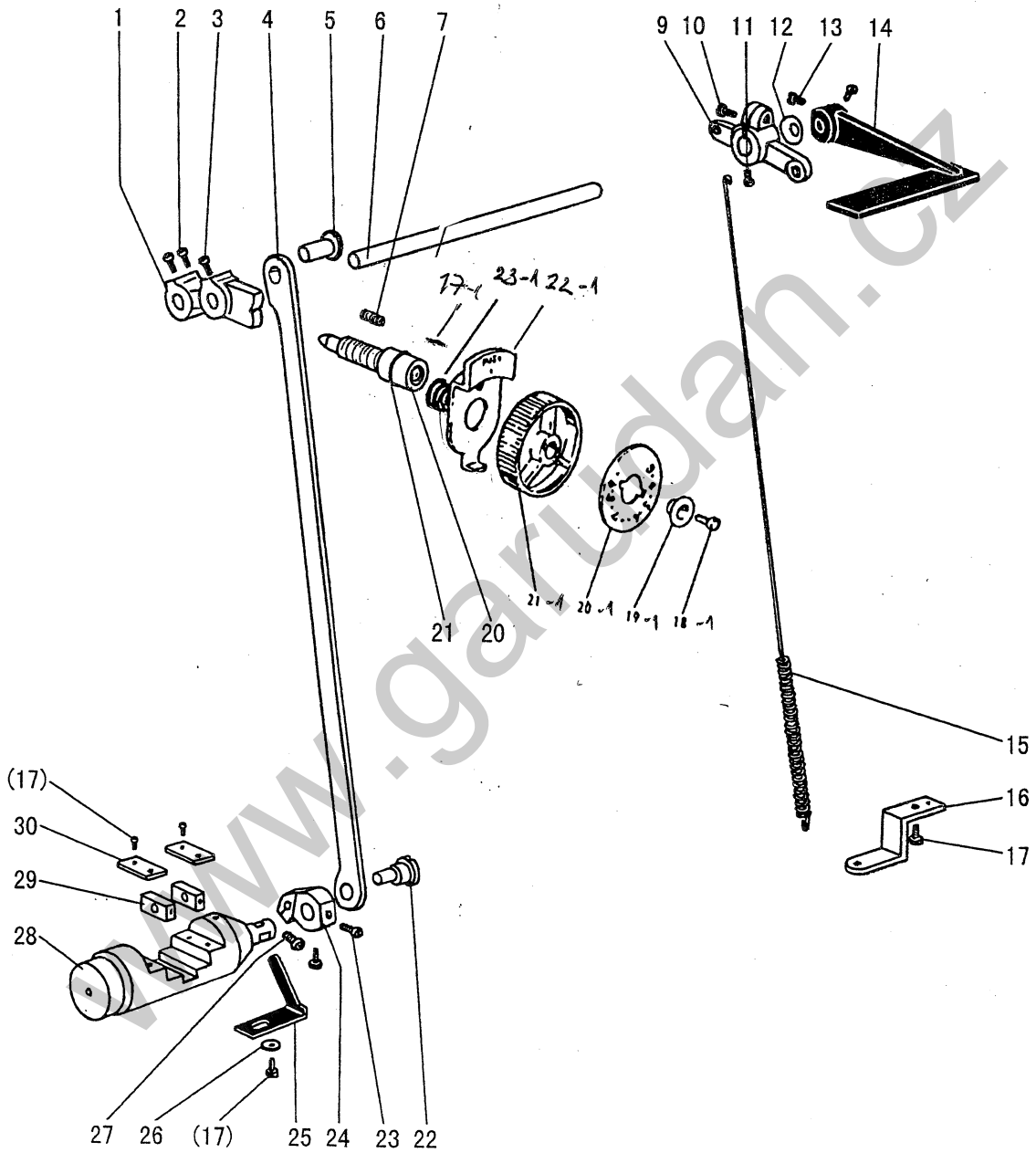
## E.NEEDLE BAR & THREAD TAKE-UP LEVER MECHANISM

| Fig. No. | Part No.   | Description                      | Pcs. | Remarks        |
|----------|------------|----------------------------------|------|----------------|
| E01      | H3410C3023 | Oil wick                         | 1    |                |
| E02      | H3410C3022 | Shaft                            | 1    |                |
| E03      | H007013070 | E-type ring                      | 1    | GB/T896 7      |
| E04      | H609030220 | Pin                              | 1    | GB/T879.1 3×22 |
| E05      | H24211DN05 | Oil wick                         | 1    |                |
| E06      | H24211DM05 | Shaft                            | 1    |                |
| E07      | HE033C8001 | Thread take-up lever             | 1    |                |
| E08      | HE034C8001 | Thread take-up slide brock       | 1    |                |
| E09      | HA110D0672 | Screw                            | 1    | SM15/64(28)×12 |
| E10      | H24211D405 | Oil wick                         | 1    |                |
| E11      | H24211D305 | Plug                             | 1    |                |
| E12      | H2405D0662 | Needle bar crank pin             | 1    |                |
| E13      | H4716F8001 | Oil wick                         | 1    |                |
| E14      | H3409C0671 | Needle bar connecting link       | 1    |                |
| E15      | HA100H2050 | Screw                            | 1    | SM9/64(40)×11  |
| E16      | H3409C0672 | Bushing                          | 1    |                |
| E17      | H3410C3016 | Washer                           | 4    |                |
| E18      | H3410C3015 | Needle bar holder                | 1    |                |
| E19      | H3410C301K | Screw                            | 1    | SM9/64(40)×6.5 |
| E20      | HE523E8001 | Guide plate                      | 1    |                |
| E21      | HA7121N304 | Screw                            | 1    |                |
| E22      | H3410C301C | Screw                            | 1    | SM3/32(56)×4.2 |
| E23      | H3410C301B | Needle bar supporter             | 1    |                |
| E24      | H3410C3019 | Screw                            | 1    | SM9/64(40)×3.5 |
| E25      | H3410C3018 | Needle bar holding stopper       | 1    |                |
| E26      | H3410C3017 | Needle bar holder                | 1    |                |
| E27      | H3204D6513 | Felt                             | 1    |                |
| E28      | H3410C3014 | Needle bar holder                | 1    |                |
| E29      | HE505E8001 | Needle bar rock frame            | 1    |                |
| E30      | H34411C410 | Screw                            | 2    | SM9/64(40)×4   |
| E31      | H34411C310 | Bashing for needle bar supporter | 2    |                |
| E32      | H3410C3025 | Bashing                          | 1    |                |
| E33      | HA605E0662 | Screw                            | 2    |                |
| E34      | H34412C810 | Screw                            | 2    | M5.5×5         |
| E35      | H34412C510 | Pin                              | 2    |                |
| E36      | H34412C110 | Spring                           | 2    |                |
| E37      | H34412C210 | Sleeve                           | 2    |                |
| E38      | H34412C310 | Pin                              | 2    |                |
| E39      | H3410C1261 | Nut                              | 2    | SM5/64(64)×6   |
| E40      | H3410C1262 | Nut                              | 2    | SM5/64(64)×2   |
| E41      | H3410C1265 | Spring                           | 2    |                |
| E42      | H3410C1263 | Stud                             | 2    |                |
| E43      | H3410C301I | Steel ball                       | 12   |                |

## E.NEEDLE BAR & THREAD TAKE-UP LEVER MECHANISM

| Fig. No. | Part No.   | Description                       | Pcs. | Remarks        |
|----------|------------|-----------------------------------|------|----------------|
| E44      | H3410C1264 | Triangle pin                      | 2    | SM5/64(64)×8   |
| E45      | H34411C210 | Needle bar                        | 2    |                |
| E46      | H34412C410 | Spring                            | 2    |                |
| E47      | H34412C910 | Stopper for needle clamp          | 2    |                |
| E48      | H34412C710 | Screw                             | 4    | SM1/8(44)×6    |
| E49      | HE516E8001 | Needle clamp                      | 2    | 5/16           |
| E49      | HE524E8001 | Needle clamp                      | 2    | 3/8            |
| E50      | H32481B521 | Screw                             | 2    |                |
| E51      | H4740F8001 | Needle                            | 2    |                |
| E52      | HE505D8001 | Vibrating presser bar             | 1    |                |
| E53      | H3400C2020 | Bolt                              | 1    | SM11/64(40)×12 |
| E54      | H3200I2030 | Washer                            | 1    |                |
| E55      | H3400C2010 | Needle bar guide                  | 1    |                |
| E56      | H0206F8001 | Vibrating presser bar link        | 1    |                |
| E57      | H3100F2060 | Spring                            | 1    |                |
| E58      | HE506D7101 | Vibrating presser spring guide    | 1    |                |
| E59      | H3410C301P | Square block                      | 1    |                |
| E60      | H3406C0671 | Screw                             | 1    | SM15/64(28)×10 |
| E61      | H3406C0672 | Needle bar vibrating crank(left)  | 1    |                |
| E62      | H3400C2050 | Washer                            | 1    |                |
| E63      | H3204B0652 | Bushing                           | 2    |                |
| E64      | H602040200 | Taper pin                         | 1    | GB/T117 4X20   |
| E65      | H4736F8001 | Needle bar vibrating shaft        | 1    |                |
| E66      | H7107F8001 | Nut                               | 1    |                |
| E67      | H2012N0652 | Screw                             | 1    |                |
| E68      | H7108F8001 | Screw                             | 1    |                |
| E69      | H32311D406 | Oil wick                          | 1    |                |
| E70      | H7104F8001 | Needle bar vibrating crank(right) | 1    |                |
| E71      | H0205F8001 | Connecting link                   | 1    |                |
| E72      | HE009D8001 | Screw                             | 1    |                |
| E73      | HE508D8001 | Vibrating presser foot            | 1    | 5/16           |
| E73      | HE305E8001 | Vibrating presser foot            | 1    | 3/8            |

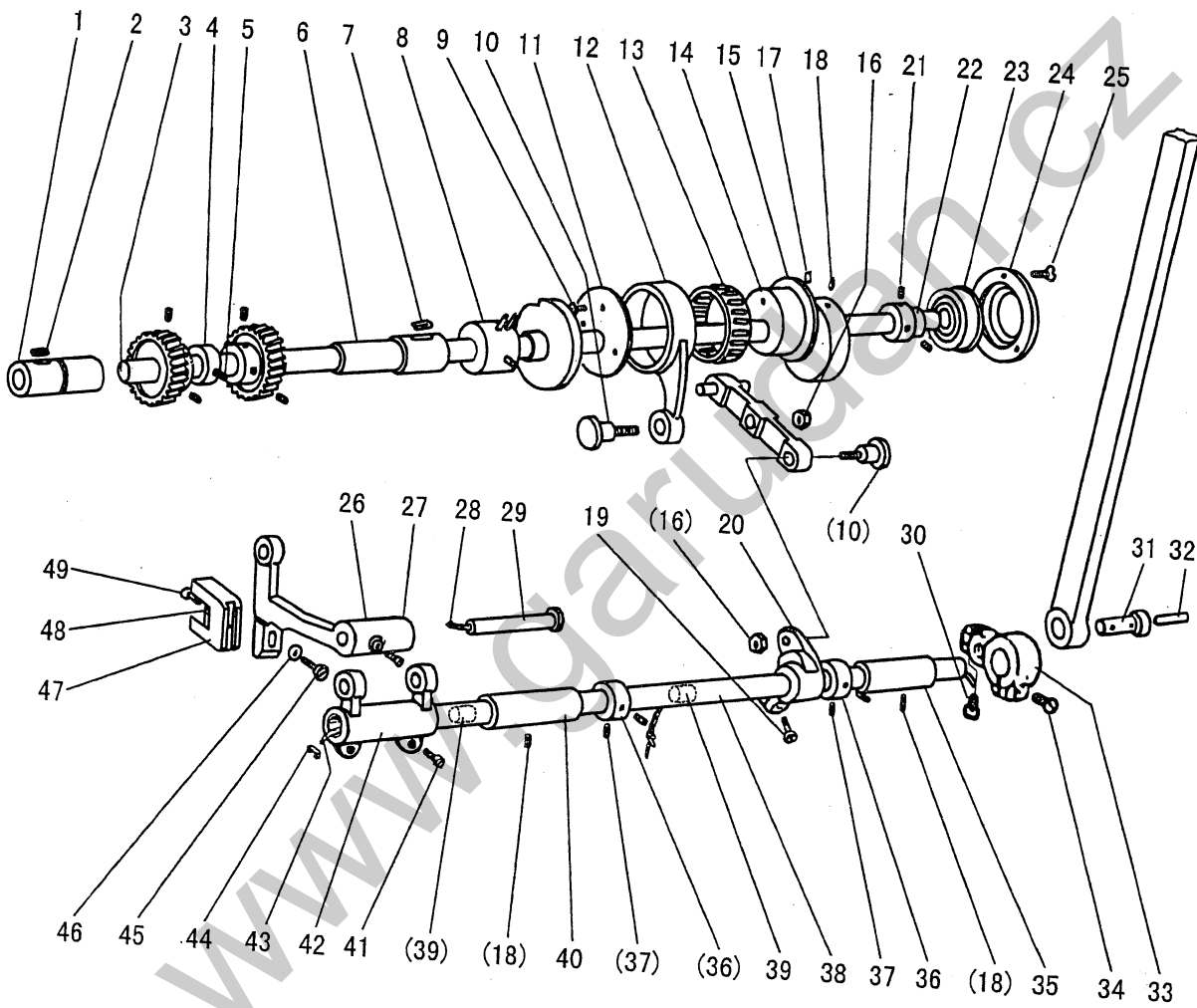
# F. STITCH REGULATOR MECHANISM



## F.STITCH REGULATOR MECHANISM

| Fig. No. | Part No.     | Description                | Pcs. | Remarks            |
|----------|--------------|----------------------------|------|--------------------|
| F01      | H6309F8001   | Feed regulator             | 1    |                    |
| F02      | HA113F0684   | Screw                      | 2    | SM15/64 (28) ×8.5  |
| F03      | H3200F2020   | Screw                      | 1    | SM15/64 (28) ×12   |
| F04      | H6304F8001   | Link                       | 1    |                    |
| F05      | HA100G2070   | Eccentric shaft            | 1    |                    |
| F06      | H0204G8001   | Reverse stitch shaft       | 1    |                    |
| F07      | H3200F2110   | Spring                     | 1    |                    |
| F08      | HA100F2080   | Stopper pin                | 1    |                    |
| F09      | H3207F0671   | Reverse stitch crank       | 1    |                    |
| F10      | HA800F2020   | Screw                      | 1    | SM15/64 (28) ×13.5 |
| F11      | H3207F0672   | Screw                      | 1    | SM11/64 (40) ×8.5  |
| F12      | HA100F2110   | Washer                     | 1    |                    |
| F13      | HA113F0684   | Screw                      | 2    | SM15/64 (28) ×8.5  |
| F14      | H4711G8001   | Feed reversing lever       | 1    |                    |
| F15      | H6307F8001   | Spring                     | 1    |                    |
| F16      | H3200F2050   | Bracket for spring         | 1    |                    |
| F17      | HA300C2030   | Screw                      | 4    | SM11/64 (40) ×8    |
| F18      | HA109F0673   | Screw                      | 1    | SM3/16 (28) ×8.6   |
| F19      | H3304F0652   | Dial                       | 1    |                    |
| F20      | HA109F0671   | Screw bar                  | 1    | T7/16 (8) ×54.3    |
| F21      | HA109F0674   | O-ring                     | 1    |                    |
| F22      | H3206F0662   | Pin                        | 1    |                    |
| F23      | H3210F0681   | Screw                      | 2    | M5×6               |
| F24      | H3210F0683   | Reverse stitch shaft crank | 1    |                    |
| F25      | H3200F2080   | Holding plate              | 1    |                    |
| F26      | HA703R0067   | Washer                     | 1    |                    |
| F27      | H3210F0682   | Screw                      | 1    | M5×14              |
| F28      | H3212F0692   | Reverse bar                | 1    |                    |
| F29      | H3208G0672   | Square block               | 2    |                    |
| F30      | H3212F0691   | Guide plate                | 2    |                    |
| F 17-1   | 8215-003     | Pin                        | A    |                    |
| F 18-1   | 8215-017D6   | Screw                      |      |                    |
| F 19-1   | 8215-017D5   | Bushing                    |      |                    |
| F 20-1   | 49H06-007P01 | Stitch lenght              |      |                    |
| F 21-1   | 8215-017D2a1 | Dial                       |      |                    |
| F 22-1   | 8215-01703   | Stopper                    |      |                    |
| F 23-1   | 8215-017D7   | Coil spring                | 4    |                    |

# G. LOWER SHAFT & FEED ROCK SHAFT MECHANISM



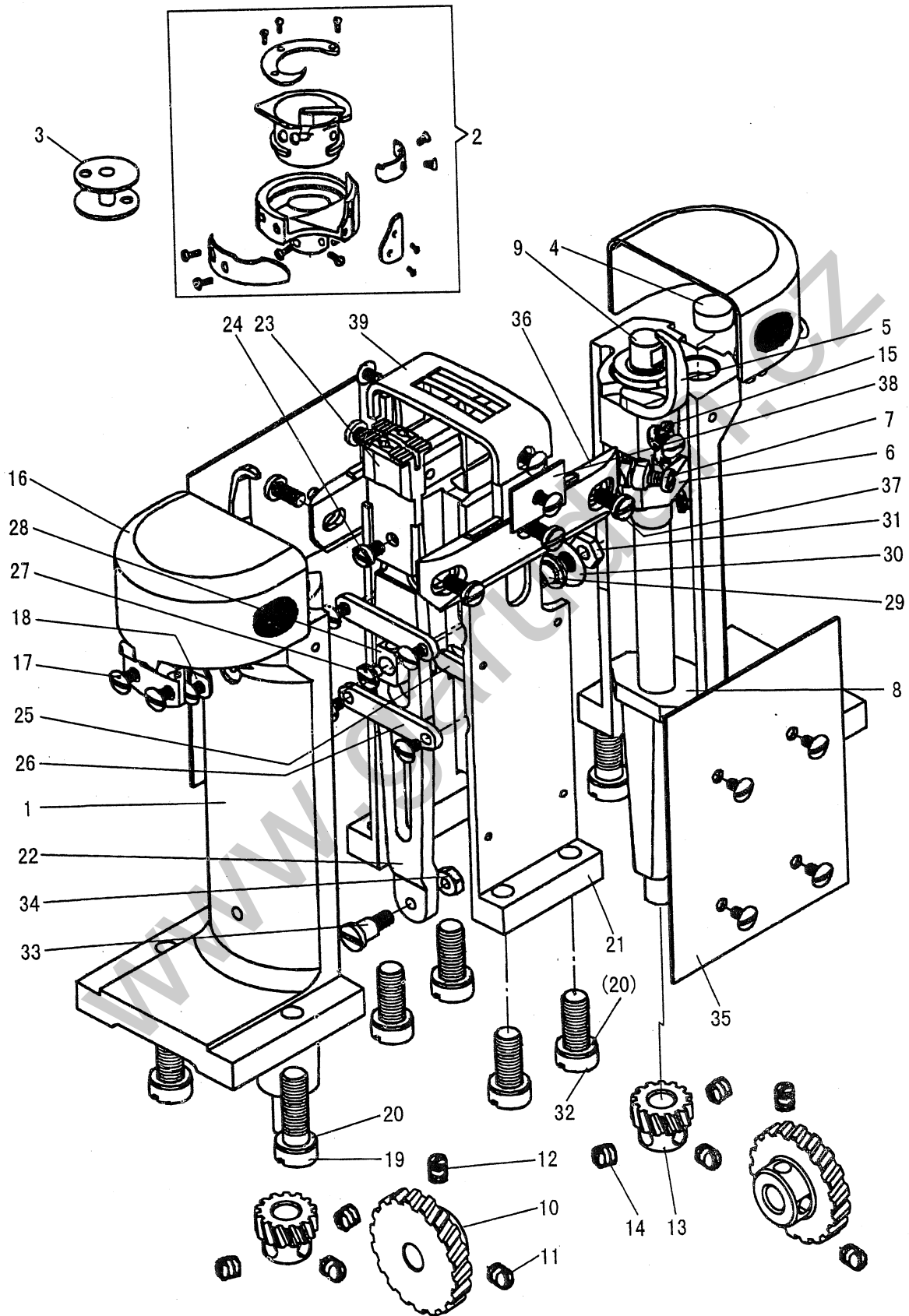
## G.LOWER SHAFT & FEED ROCK SHAFT MECHANISM

| Fig. No. | Part No.   | Description                    | Pcs. | Remarks          |
|----------|------------|--------------------------------|------|------------------|
| G01      | H6315B8001 | Lower shaft bushing(left)      | 1    |                  |
| G02      | H32132B204 | Oil wick                       | 1    |                  |
| G03      | H0204H8001 | Lower shaft                    | 1    |                  |
| G04      | H3205H0655 | Feed lifting cam               | 1    |                  |
| G05      | H3205H0654 | Set screw                      | 1    | SM1/4(40)×5      |
| G06      | H6317B8001 | Lower shaft bushing(right)     | 1    |                  |
| G07      | H32132B204 | Oil wick                       | 1    |                  |
| G08      | H3204B0054 | Lower shaft bushing(middle)    | 1    |                  |
| G09      | HA700F2100 | Screw                          | 3    | SM11/64 (40) ×7  |
| G10      | H3208G0674 | Screw                          | 2    | SM1/4 (24) ×15   |
| G11      | H32372G208 | Washer                         | 1    |                  |
| G12      | H32372G408 | Feed connecting rod            | 1    |                  |
| G13      | H32372G308 | Needle bearing                 | 1    |                  |
| G14      | H3305G1011 | Lever feed connecting cam      | 1    |                  |
| G15      | H3208G2011 | Link                           | 2    |                  |
| G16      | H3208G0675 | Nut                            | 1    | SM15/64 (28) ×14 |
| G17      | H2405D0664 | Set screw                      | 3    | SM15/64 (28) ×14 |
| G18      | H3208G0676 | Screw                          | 1    | SM15/64 (28) ×14 |
| G19      | H3208G0676 | Screw                          | 1    |                  |
| G20      | H3208G0673 | Connecting rod crank(middle)   | 1    |                  |
| G21      | HA105D0662 | Set screw                      | 2    | SM1/4 (40) ×4    |
| G22      | H3208H0662 | Bushing                        | 1    |                  |
| G23      | H3208H0661 | Ball bearing                   | 1    |                  |
| G24      | H3200H2060 | Bearing holder                 | 1    |                  |
| G25      | HA7311C306 | Screw                          | 3    | SM9/64 (40) ×7   |
| G26      | H6305G8001 | Feed bar                       | 1    |                  |
| G27      | H429050050 | Screw                          | 1    |                  |
| G28      | H3205G0662 | Oil wick                       | 1    |                  |
| G29      | H32243G205 | Feed bar shaft                 | 1    |                  |
| G30      | HA104G0012 | Screw                          | 1    | SM3/16 (28) ×12  |
| G31      | H3407C0664 | Pin                            | 1    |                  |
| G32      | H24211D405 | Oil wick                       | 1    |                  |
| G33      | H3407C0663 | Connecting rod crank(right)    | 1    |                  |
| G34      | H2012N0652 | Screw                          | 1    | SM1/4 (24) ×16   |
| G35      | H3204B0656 | Feed rock shaft bushing(right) | 1    |                  |
| G36      | HA108G0066 | Collar                         | 2    |                  |
| G37      | HA105D0662 | Screw                          | 4    | SM1/4 (40) ×4    |
| G38      | H3204G0651 | Feed rock shaft                | 1    |                  |
| G39      | H3204G0652 | Felt                           | 2    |                  |
| G40      | HA100G2120 | Feed rock shaft bushing(left)  | 1    |                  |
| G41      | HA104G0012 | Screw                          | 2    | SM3/16 (28) ×12  |
| G42      | H3205G1032 | Feed rock shaft crank(left)    | 1    |                  |
| G43      | H3204G0031 | Oil wick                       | 1    |                  |

## G.LOWER SHAFT & FEED ROCK SHAFT MECHANISM

| Fig. No. | Part No.   | Description              | Pcs. | Remarks       |
|----------|------------|--------------------------|------|---------------|
| G44      | H3200G2030 | Holder                   | 1    |               |
| G45      | H3200H2040 | Bolt                     | 1    |               |
| G46      | H2013J0065 | Washer                   | 1    |               |
| G47      | H3205H0651 | Feed bar connecting fork | 1    |               |
| G48      | H3205H0652 | Felt                     | 1    |               |
| G49      | H3205H0653 | Screw                    | 1    | SM1/8 (44) ×4 |

# H. HOOK SADDLE MECHANISM

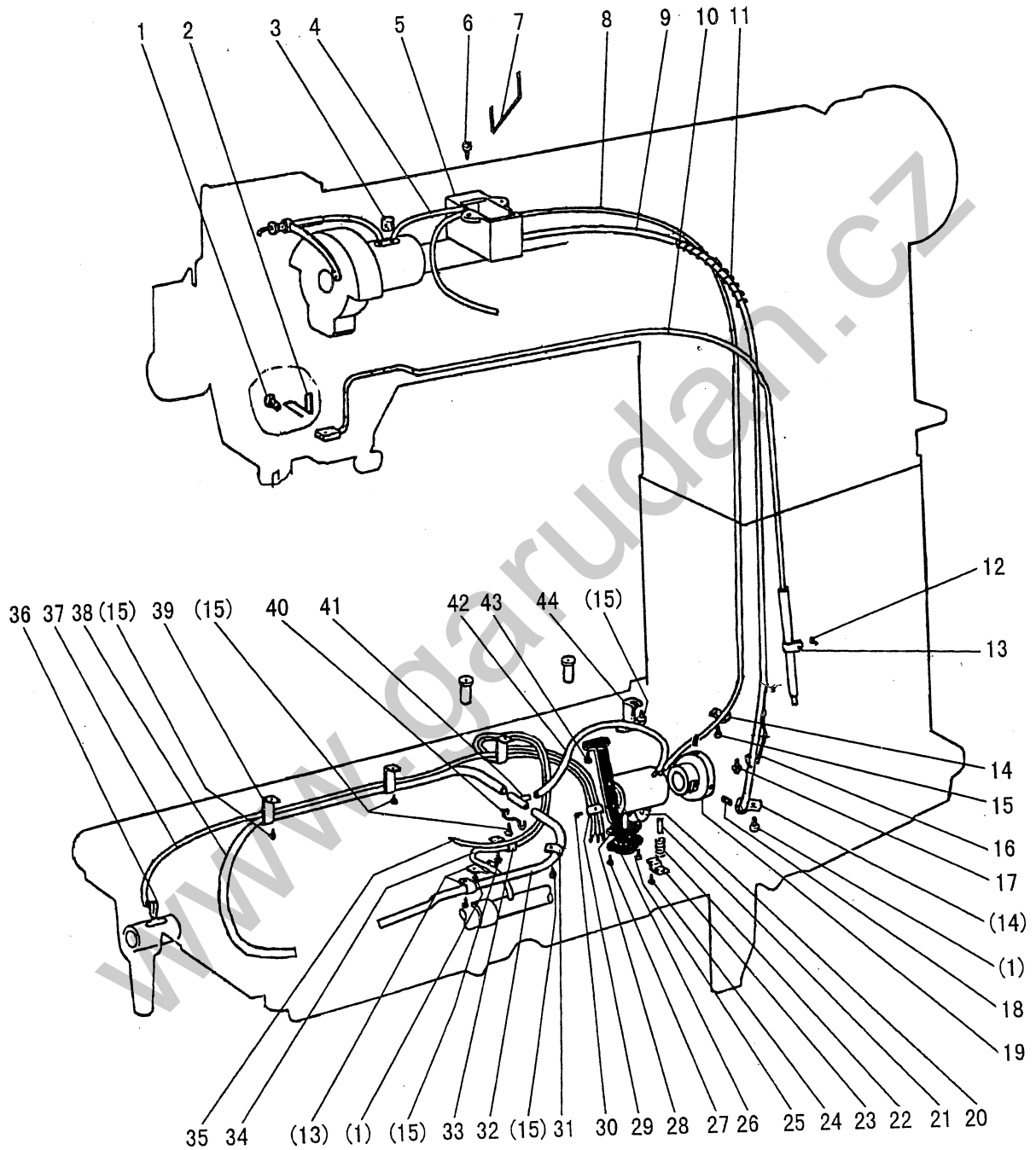




## H.HOOK SADDLE MECHANISM

| Fig. No. | Part No.   | Description          | Pcs. | Remarks           |
|----------|------------|----------------------|------|-------------------|
| H01      | HE504J8001 | Hook saddle          |      |                   |
| H02      | HE507J7101 | Hook                 | 2    |                   |
| H03      | HE509J8001 | Bobbin               | 2    | KRT8-LPK          |
| H04      | HE511J8001 | Felt                 | 2    |                   |
| H05      | HE512J8001 | Opener               | 2    |                   |
| H06      | HE513J8001 | Crank                | 2    |                   |
| H07      | HE022K8001 | Screw                | 2    |                   |
| H08      | HE514J8001 | Felt                 | 2    | SM11/64 (32) ×9   |
| H09      | HE515J8001 | Hook shaft           | 2    |                   |
| H10      | H32142I104 | Gear(large)          | 2    |                   |
| H11      | HA307C0662 | Set screw            | 2    |                   |
| H12      | H3204I6510 | Set screw            | 2    | SM1/4 (40) ×6     |
| H13      | H32142I204 | Gear (small)         | 2    | SM1/4(40)×6.5     |
| H14      | HA105D0662 | Set screw            | 2    |                   |
| H15      | HE516J8001 | Oil wick             | 6    | SM1/4 (40) ×4     |
| H16      | HE518J7101 | Slide plate          | 2    |                   |
| H17      | HE517J8001 | Screw                | 2    |                   |
| H18      | HE524J8001 | Spring plate         | 24   | SM9/64 (40) ×5.5  |
| H19      | HE525J8001 | Screw                | 2    |                   |
| H20      | H005001080 | Washer               | 4    | SM5/16 (20) ×26   |
| H21      | HE528J8001 | Feed bar set bracket | 8    | GB/T97.1 8        |
| H22      | HE530J8001 | Feed bar             | 1    |                   |
| H23      | HE531J8001 | Feed dog             | 1    |                   |
| H23      | HE306I8001 | Feed dog             | 1    | 5/16              |
| H24      | HE012E8001 | Screw                | 1    | 3/8               |
| H25      | HE532J8001 | Felt                 | 1    | SM11/64 (32) ×6.5 |
| H26      | HE533J8001 | Support plate        | 2    |                   |
| H27      | HE123I8001 | Screw                | 2    |                   |
| H28      | HE535J8001 | Square block         | 1    | SM1/8 (44) ×4     |
| H29      | HE536J8001 | Screw                | 1    |                   |
| H30      | HE045D8001 | Washer               | 1    | SM7/32 (32) ×4.5  |
| H31      | HE021B8001 | Nut                  | 1    |                   |
| H32      | HE538J8001 | Screw                | 1    |                   |
| H33      | H0204I8001 | Screw                | 4    | SM5/16 (20) ×18   |
| H34      | HE540J8001 | Nut                  | 1    | SM3/16 (32) ×7.5  |
| H35      | HE541J8001 | Cover plate          | 1    |                   |
| H36      | HE542J8001 | Hook support bracket | 2    |                   |
| H37      | HE543J8001 | Screw                | 2    |                   |
| H38      | HE544J8001 | Plate                | 6    | SM3/16 (32) ×9.5  |
| H38      | HE307I8001 | Plate                | 2    | 5/16              |
| H39      | HE545J8001 | Needle plate         | 2    | 3/8               |
| H39      | HE308I8001 | Needle plate         | 1    | 5/16              |
|          |            |                      | 1    | 3/8               |

# I. OIL LUBRICATION MECHANISM



# I.OIL LUBRICATION MECHANISM

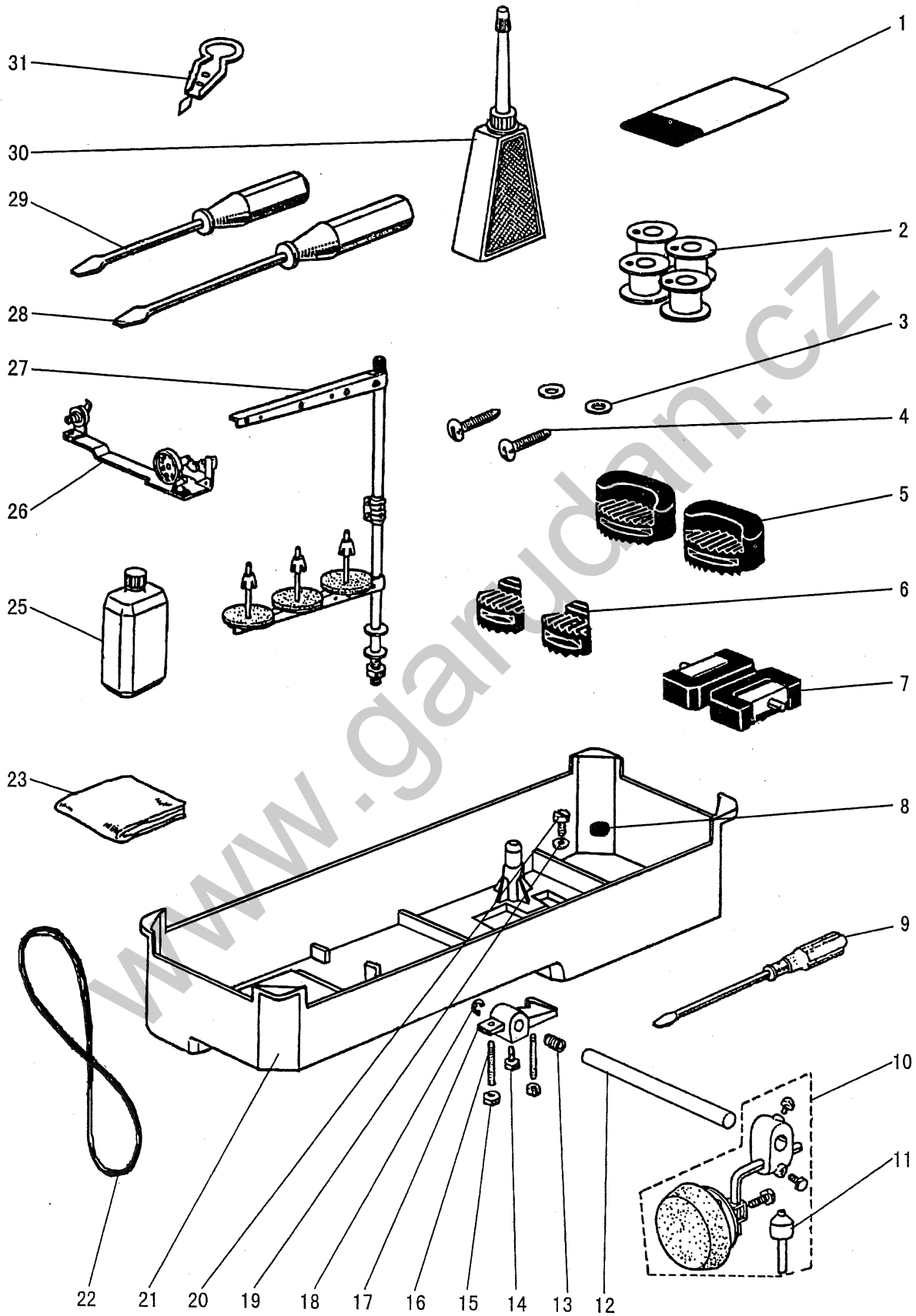
| Fig. No. | Part No.   | Description              | Pcs. | Remarks           |
|----------|------------|--------------------------|------|-------------------|
| I01      | HA300C2030 | Screw                    | 3    | SM11/64 (40) ×8   |
| I02      | H4731J8001 | Holder                   | 1    |                   |
| I03      | H32175B304 | Felt                     | 1    |                   |
| I04      | H4705J7101 | Oil pipe & wick complete | 1    |                   |
| I05      | H3204K0011 | Oil tank complete        | 1    |                   |
| I06      | H411040160 | Screw                    | 2    | GB/T819.1 M4×16   |
| I07      | H4707J8001 | Holder                   | 1    |                   |
| I08      | H0204K8001 | Oil pipe                 | 1    |                   |
| I09      | H0205K8001 | Oil pipe                 | 1    |                   |
| I10      | H0206K7101 | Oil pipe complete        | 1    |                   |
| I11      | H4710J8001 | Spring                   | 2    |                   |
| I12      | HA7311CC06 | Screw                    | 7    | SM9/64 (40) ×6.5  |
| I13      | H2000M0110 | Holder                   | 1    |                   |
| I14      | H3200K0190 | Holder                   | 2    |                   |
| I15      | HA300B2130 | Screw                    | 6    | SM11/64 (40) ×5.5 |
| I16      | H3200K0200 | Holder                   | 1    |                   |
| I17      | HA300B2170 | Screw                    | 1    | SM11/64 (40) ×9   |
| I18      | H3230K0751 | Set screw                | 2    | SM11/64 (40) ×10  |
| I19      | H0209K8001 | Bushing                  | 1    |                   |
| I20      | H3215K0696 | Oil pipe                 | 1    |                   |
| I21      | H1100I2070 | Plunger                  | 1    |                   |
| I22      | H1100I2090 | Coil spring              | 1    |                   |
| I23      | H1100I2110 | Guide plate              | 1    |                   |
| I24      | H3204D6510 | Screw                    | 1    | SM1/8 (44) ×4.8   |
| I25      | H3215K0693 | Screw                    | 1    | SM9/64 (40) ×5    |
| I26      | H3215K0692 | Filter                   | 1    |                   |
| I27      | H3215K0694 | Screw                    | 1    | SM9/64 (40) ×7    |
| I28      | H3215K4011 | Base plate complete      | 1    |                   |
| I29      | H3215K0695 | Holder                   | 1    |                   |
| I30      | HA106B0676 | Screw                    | 1    | SM9/64 (40) ×6    |
| I31      | H32311D606 | Holder                   | 1    |                   |
| I32      | H3210K0672 | Oil pipe                 | 1    |                   |
| I33      | H3200K0170 | Holder                   | 1    |                   |
| I34      | H3218K0072 | Oil pipe complete        | 1    |                   |
| I35      | H3217K0071 | Oil pipe complete        | 1    |                   |
| I36      | H3200K0180 | Oil wick                 | 1    |                   |
| I37      | H3216K0070 | Oil pipe complete        | 1    |                   |
| I38      | H3204K0655 | Oil pipe                 | 1    |                   |
| I39      | H3200K0160 | Holder                   | 3    |                   |
| I40      | H3210K0674 | Holder                   | 1    |                   |
| I41      | H3210K0671 | Oil pipe connector       | 1    |                   |
| I42      | H3210K0673 | Oil pipe                 | 1    |                   |
| I42      | H6204K8001 | Oil pipe                 | 1    |                   |

# I.OIL LUBRICATION MECHANISM

| Fig. No. | Part No.   | Description   | Pcs. | Remarks          |
|----------|------------|---------------|------|------------------|
| I43      | HA100E2150 | Screw         | 1    | SM11/64 (40) ×10 |
| I44      | H3200K0250 | Holding plate | 1    |                  |

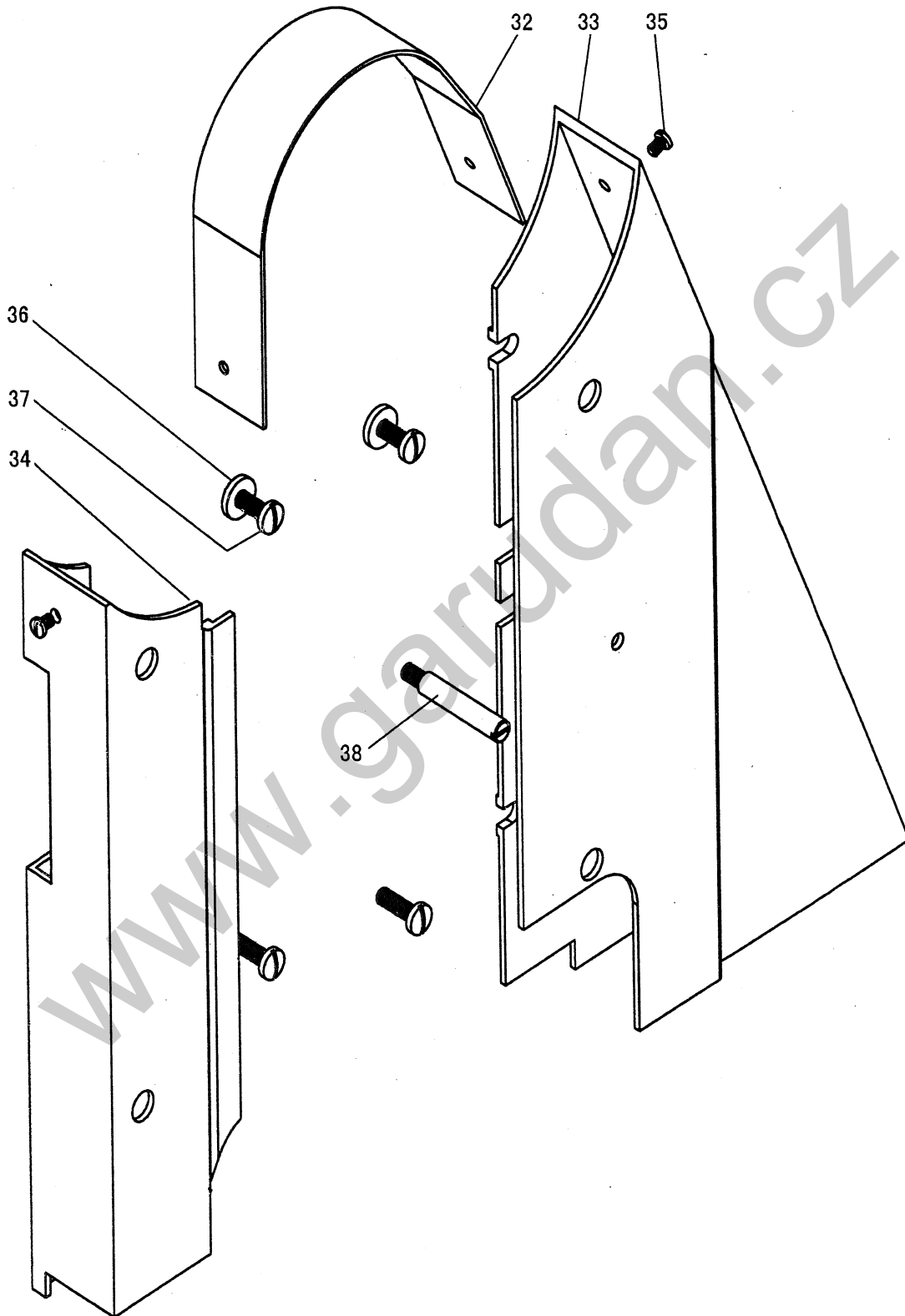
www.garudan.cz

# J. ACCESSORIES



J. ACCESSORIES

---



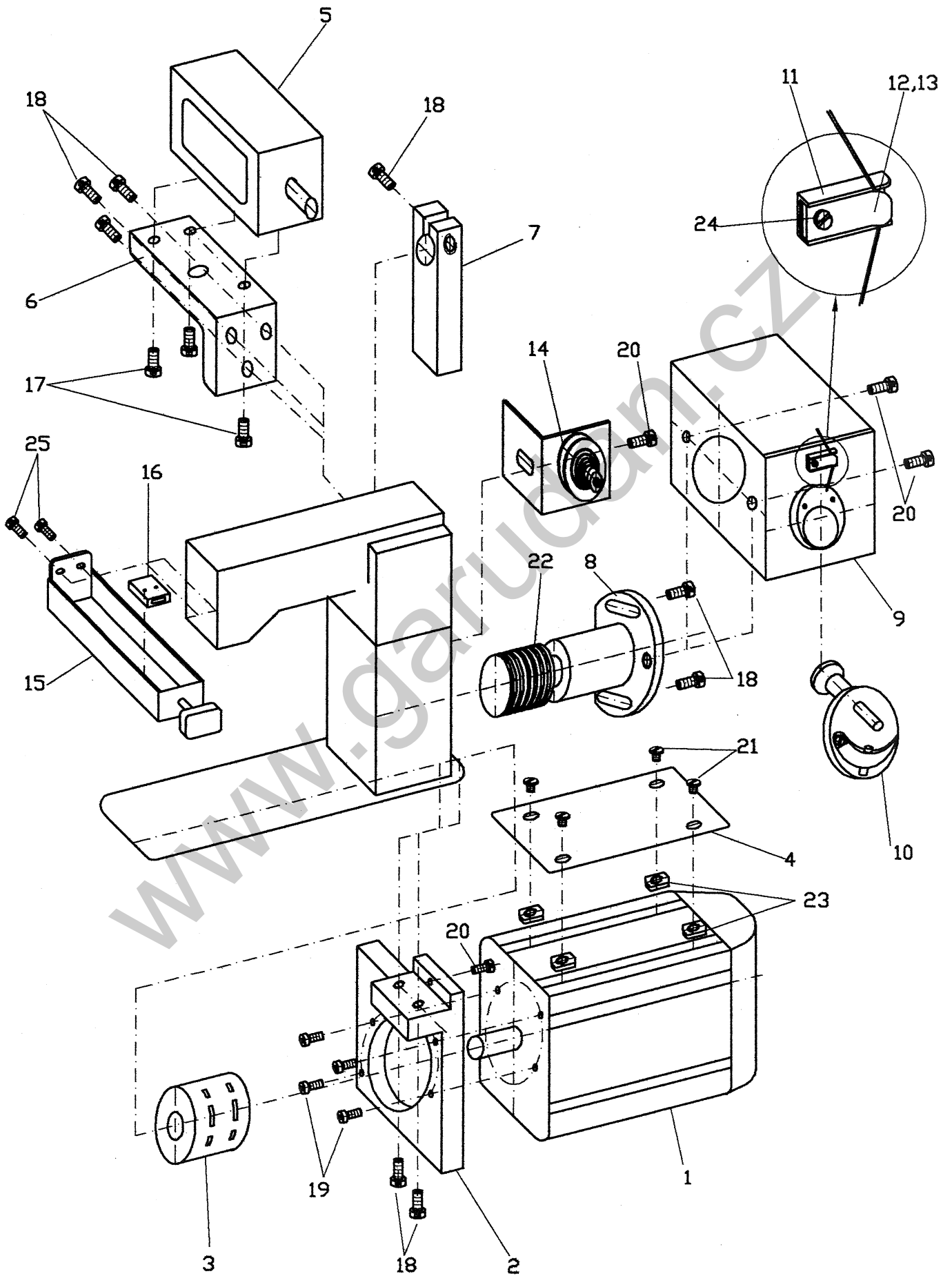
## J.ACCESSORIES

| Fig. No. | Part No.   | Description                 | Pcs. | Remarks           |
|----------|------------|-----------------------------|------|-------------------|
| J01      | H4740F8001 | Needle                      | 1    |                   |
| J02      | HE509J8001 | Bobbin                      | 4    |                   |
| J03      | HA300J2230 | Washer                      | 4    |                   |
| J04      | H801045200 | Wood screw                  | 4    |                   |
| J05      | H3200L0020 | Vibration preventing rubber | 2    |                   |
| J06      | H3200L0030 | Vibration preventing rubber | 2    |                   |
| J07      | HA307J0067 | Hinge complete              | 2    |                   |
| J08      | HA100J2120 | Magnet                      | 1    |                   |
| J09      | HA300J2070 | Screw driver (larger)       | 1    |                   |
| J10      | H3214L0067 | Small parts                 | 1    |                   |
| J11      | H3214L2011 | Knee lifter pin             | 1    |                   |
| J12      | H3213L0662 | Knee lifter shaft           | 1    |                   |
| J13      | HA104J0657 | Spring                      | 1    |                   |
| J14      | HA104J0659 | Screw                       | 2    | SM15/64 (28) ×28  |
| J15      | HA104J6510 | Nut                         | 2    |                   |
| J16      | HA106J0664 | Screw                       | 1    | SM15/64 (18) ×13  |
| J17      | H3213L0664 | Knee lifter crank           | 1    |                   |
| J18      | H007013090 | E-type ring                 | 1    | GB/T896 9         |
| J19      | HA104J0653 | Washer                      | 1    |                   |
| J20      | HA104J0652 | Screw                       | 1    | SM5/16 (28) ×10   |
| J21      | H3213L0661 | Oil reservoir               | 1    |                   |
| J22      | H2400K0080 | M-type belt                 | 1    |                   |
| J23      | HA100J2180 | Vinyl cover                 | 1    |                   |
| J25      | H3200L0130 | Oil tank                    | 1    |                   |
| J26      | HA706S0067 | Bobbin winder complete      | 1    |                   |
| J27      | H3200L0120 | Cotton stand                | 1    |                   |
| J28      | HA100J2140 | Screw driver(middle)        | 1    |                   |
| J29      | HA100J2150 | Screw driver (small)        | 1    |                   |
| J30      | HA100J2110 | Oiler                       | 1    |                   |
| J31      | H3207L0065 | Thread a needle kit         | 1    |                   |
| J32      | H6307L8001 | Belt cover (upper)          | 1    |                   |
| J33      | H6309L8001 | Belt cover (right)          | 1    |                   |
| J34      | H6310L8001 | Belt cover (left)           | 1    |                   |
| J35      | H200000360 | Screw                       | 2    | SM11/64 (40) ×6.2 |
| J36      | H0206L8001 | Washer                      | 2    |                   |
| J37      | H0207L8001 | Screw                       | 4    | SM15/64 (28) ×18  |
| J38      | H0208L8001 | Screw                       | 1    | SM15/64 (28) ×10  |

[www.garudan.cz](http://www.garudan.cz)



K: MINIMOTOR, BACTAKING, BOBBIN WINDER



www.garudan.cz

### K. MINIMOTOR, BACTAKING, BOBBIN WINDER

| No. | Part No.          | Description                 | Pcs. | Remarks |
|-----|-------------------|-----------------------------|------|---------|
| K1  | HVP70             | Minimotor HVP 70            | 1    |         |
| K2  | GP/234443001      | Bracket                     | 1    |         |
| K3  | GP/234443003      | Clutch                      | 1    |         |
| K4  | GP/234443004      | Cover                       | 1    |         |
| K5  | GP/EMSA8215-B     | Solenoid EMSA 8215-B        | 1    |         |
| K6  | GP/SM5-41.8       | Holder                      | 1    |         |
| K7  | GP/SM5-41.22      | Bracket N                   | 1    |         |
| K8  | GP/234443S2       | Gear of Bobbin Winder       | 1    |         |
| K9  | GP/GU-100-001     | Bobbin Winder Bracket       | 1    |         |
| K10 | GP/259431-1       | Bobbin Winder Bracket       | 1    |         |
| K11 | GP/MS-102243      | Knife                       | 1    |         |
| K12 | GP/MS-102243-1    | Spring                      | 1    |         |
| K13 | GP/MS-102243-2    | Spring                      | 1    |         |
| K14 | GP/SM12-1.1       | Thread Tension              | 1    |         |
| K15 | GP/12-013A-7507-U | Reverse Button Ass'y        | 1    |         |
| K16 | GP/12-003A-7507   | Reverse Button S/W Assembly | 1    |         |
| K17 | GP/M4x12          | Screw M4x12 DIN 912         | 3    |         |
| K18 | GP/M6x14          | Screw M6x14 DIN 912         | 7    |         |
| K19 | GP/M5x20          | Scrtew M5x20 DIN 912        | 4    |         |
| K20 | GP/M5x14          | Screw M5x14 DIN 912         | 4    |         |
| K21 | GP/M6x10          | Screw M6x10                 | 4    |         |
| K22 | GP/36x3           | O-Ring 36x3                 | 6    |         |
| K23 | GP/M6             | Nut M6 DIN 934              | 1    |         |
| K24 | GP/M3x5           | Screw M3x5 DIN 84A          | 1    |         |
| K25 | GP/M4x12          | Screw M4x12 DIN 84A         | 2    |         |

[www.garudan.cz](http://www.garudan.cz)